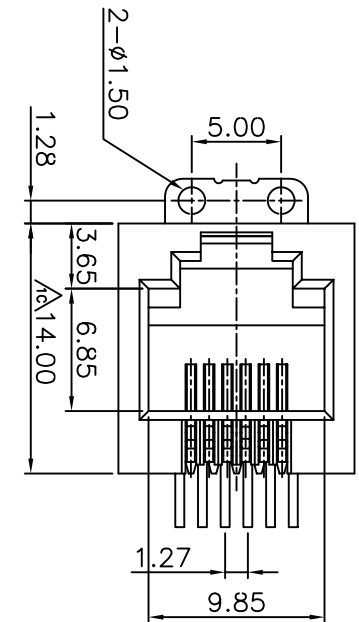
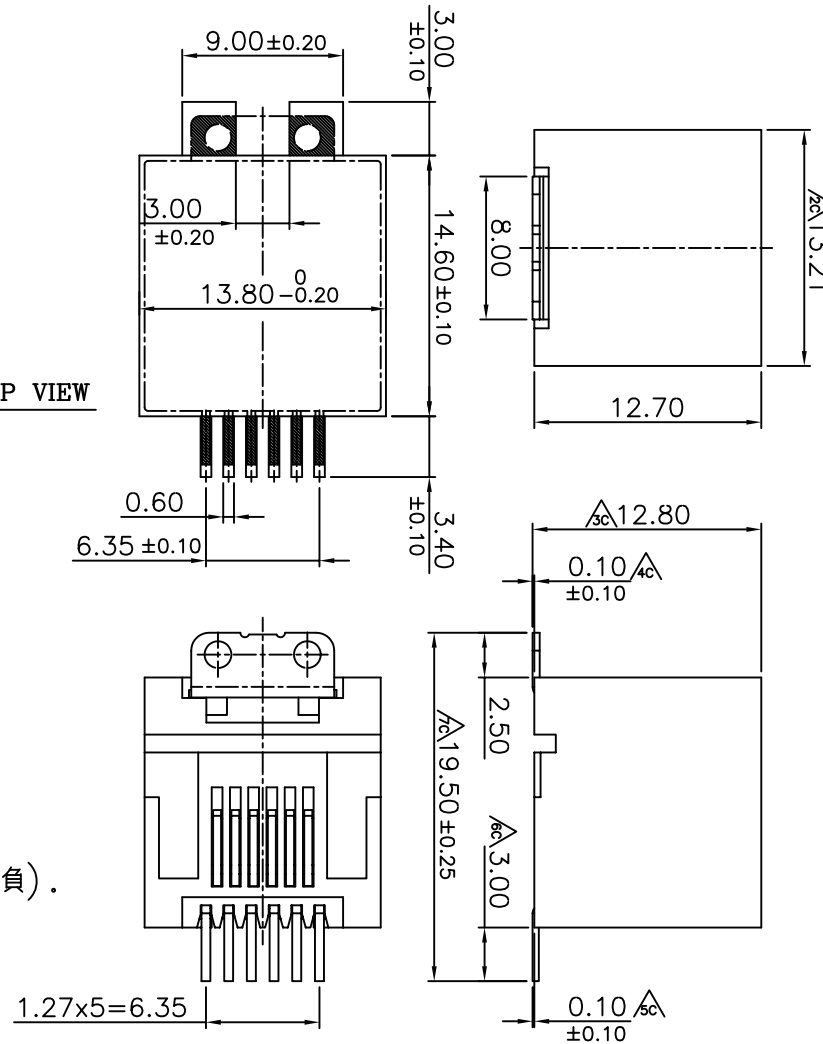


PCB LAYOUT/TOP VIEW



- ※ 1. 凡標註 c 記號者為品管管制尺寸。
- 2. 請注意第 4,5 項端子與鐵腳平面度公差需一致(同為正或同為負)。

MATERIALS:

HOUSING: NY-46 W/GLASS FIBER POLYESTER UL 94V-0 STANDARD COLOR BLACK
 CONTACT: 0.35mm THICKNESS C5210,GOLD PLATING OVER NICKEL in CONTACT AREA,
 TIN PLATING OVER NICKEL in SOLDER AREA
 GOLD PLATING: SELECTIVE GOLD PLATING

RoHS Compliant

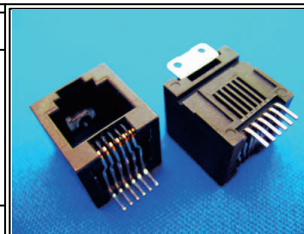
TOLERANCES ARE



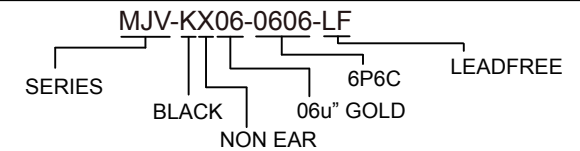
煜倫股份有限公司

www.morethanall.com

DRAWING BY CY		X, ± .X ± .XX ± .XXX ± ANG ±
CHECKED BY GENIUS		
UNIT / mm	SCALE 1:1	
DATE		
SIZE A4	PJECTION	



ORDER INFORMATION



DESCRIPTION: