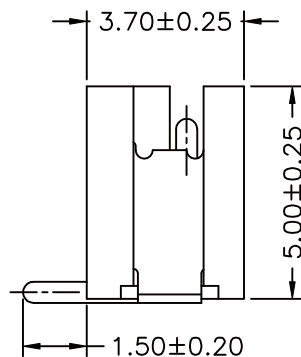
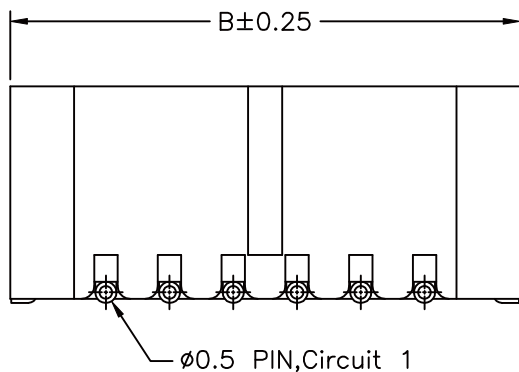
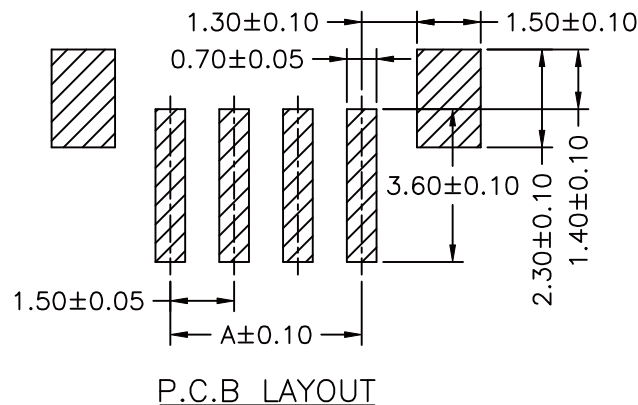
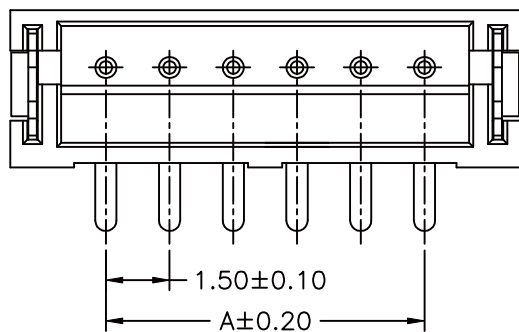


SPECIFICATIONS

Current Rating: 1A AC,DC
 Voltage Rating: 100V AC,DC
 Temperature Range: -25°C ~ +85°C
 Contact Resistance: 20mΩ Max.
 Insulation Resistance: 500MΩ Min.
 Withstanding Voltage: 500V AC/minute
 Pin Material: Brass/Tin-plated
 Solder Tabs: Brass/Tin-plated
 Material: Nylon 6T,UL94V-0



Ordering Information & Dimensions

PART NO.	Dimensions	
	A	B
ZH-V-02	1.50	6.00
ZH-V-03	3.00	7.50
ZH-V-04	4.50	9.00
ZH-V-05	6.00	10.50
ZH-V-06	7.50	12.00
ZH-V-07	9.00	13.50
ZH-V-08	10.50	15.00
ZH-V-09	12.00	16.50
ZH-V-10	13.50	18.00
ZH-V-11	15.00	19.50
ZH-V-12	16.50	21.00
ZH-V-13	18.00	22.50

RoHS Compliant

TOLERANCES ARE

MORETHANALL
 PCB CONNECTORS
 Cable ASSEMBLIES

煜倫股份有限公司

www.morethanall.com

DRAWING BY CY

CHECKED BY GENIUS

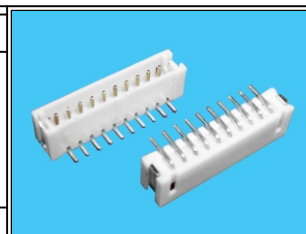
UNIT / mm SCALE 1:1

DATE

SIZE A4

PPOJECTION

X, ±
 .X ±
 .XX ±
 .XXX ±
 ANG ±



ORDER INFORMATION

ZH-V-xx-LF
 SERIES | LEADFREE
 02~13WAY
 180° SMT

DESCRIPTION: 1.50mm PITCH 180° WAFER-SMT TYPE