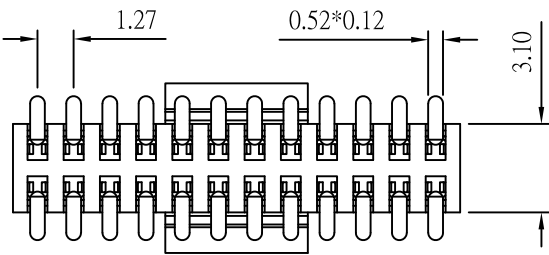
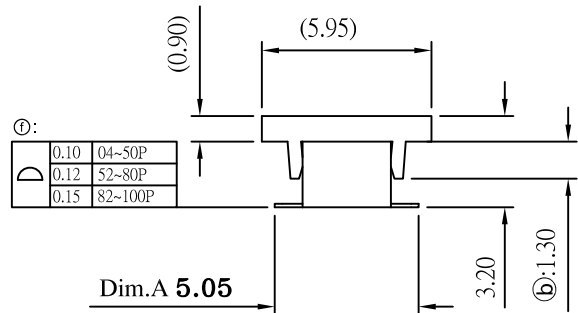
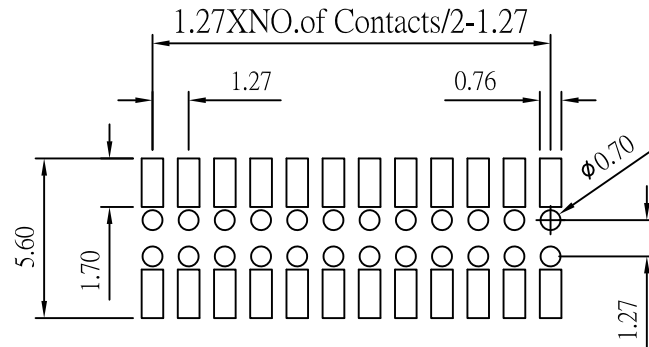


04~20 pin : 0.10mm
 22~60 pin : 0.20mm
 62~100 pin : 0.30mm



Recommended P.C. Board
 SMD Layout



Current Rating and Voltage: 1 Amps 250V AC (r.m.s)
 Insulator Resistance: 5000 Megohms min
 Contact Resistance: 20 m ohms max
 Dielectric Withstanding: 500 V AC
 Operating Temperature: - 40° ~ +105° C
 Max Processing Temp: 230° C for 60 seconds
 Max Processing Temp: 260° C for 10 seconds
 Contact Material: Phosphor Bronze
 Insulator Material: High Temperature
 Plastic,UL 94V-0
 Finish: Standard: Gold Flash all over

RoHS Compliant

TOLERANCES ARE



煜倫股份有限公司

www.morethanall.com

DRAWING BY CY

CHECKED BY GENIUS

UNIT / mm

SCALE 1 : 1

DATE

SIZE A4

PJECTION

X, ±
 .X ± 0.30
 .XX ± 0.20
 .XXX ± 0.10
 ANG ±

照片框

ORDER INFORMATION

YA-Z23XC-2Xxx-LF

SERIES LEADFREE

2X02:04 WAY

2X50:100 WAY

CAP

NON POST

HIGH 2.3mm

BOTTOM ENTRY SMT

DESCRIPTION: