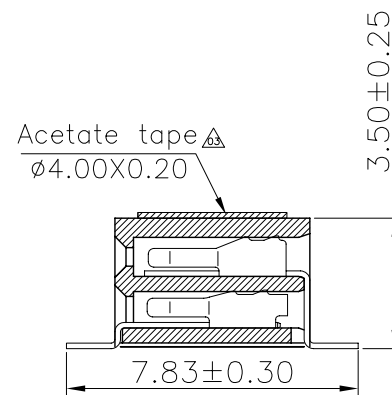
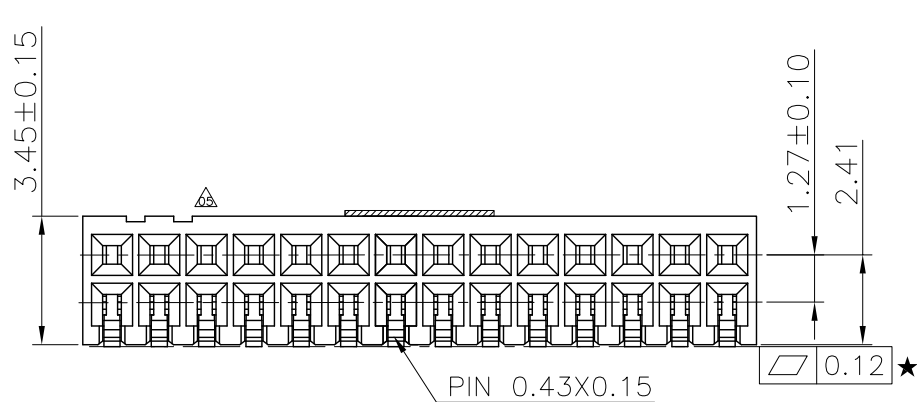
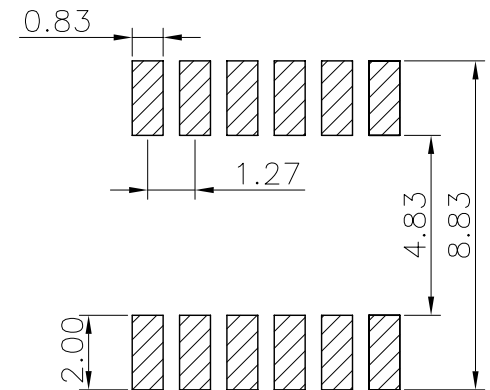


Specifications  
 Current Rating:1.0Amp  
 Insulation Resistance:1000MΩMin.  
 Dielectric Withstanding Voltage:300VAC  
 Contact Resistance:20mΩMax.  
 Operating Temperature:-40°C to +105°C  
 Materials  
 Contact Material:Phosphor Bronze  
 Insulator Material:High Temperature Thermoplastic, UL 94V-0 LCP  $\Delta$  or the equivalent material



Recommended P.C.B.Layout  
 (Tolerance:±0.10)



RoHS Compliant

TOLERANCES ARE

**MORETHANALL**  
 PCB CONNECTORS  
 Cable ASSEMBLIES

DRAWING BY CY

X. ± 0.30

CHECKED BY GENIUS

.X ± 0.25

UNIT / mm

SCALE 1 : 1

.XX ± 0.15

.XXX ± 0.10

DATE

ANG ±

SIZE A4

PPOJECTION

照片框

ORDER INFORMATION

YA-MXC-2Xxx-LF

SERIES

LEADFREE

2X02:04WAY

2X40:80WAY

MYLAR

NON POST

SIDE ENTRY SMT

煜倫股份有限公司

www.morethanall.com

DESCRIPTION: 1.27 FEMALE HEADER DUAL ROWS SMT TYPE BASE 3.45H