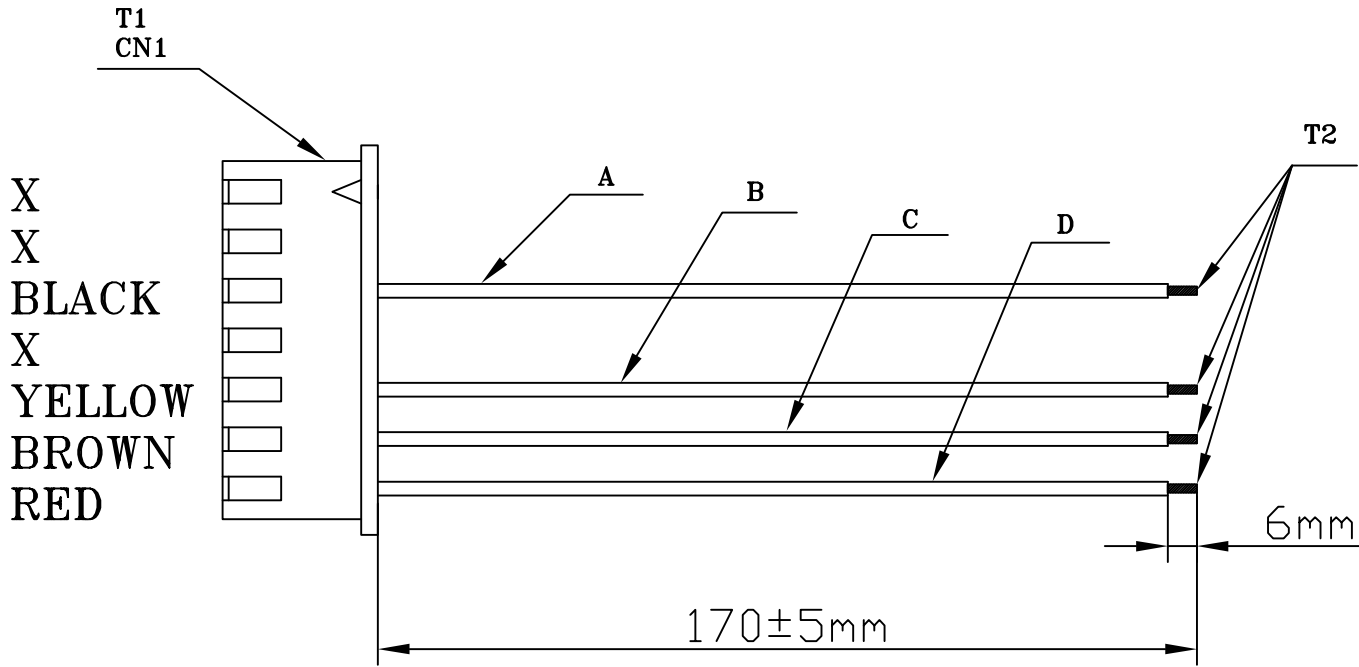


1 2 3 4 5 6 7 8 9 0

J
I
H
G
F
E
D
C
B
A



X
X
BLACK
X
YELLOW
BROWN
RED

XHX1-070422-F17C-LF
LEADFREE
RoHS Compliant

A	UL1007 #22 BLACK
B	UL1007 #22 YELLOW
C	UL1007 #22 BROWN
D	UL1007 #22 RED
T1*4	XH-T-22
CN1	HOUSING/ XH-H-07
T2*4	撿線沾錫6mm

MORETHANALL
CONNECTORS
ASSEMBLIES

煜倫股份有限公司

PART NO. XHX1-070422-F17C

DWG NO. XHX1-070422-F17C

FILE NO.

UNIT / mm

SCALE 1:1

CHECKED BY CY

DRAWING BY

PROJECTION

TOLERANCES ARE

.X±0.2
.XX±
.XXX±
AWG

DESCRIPTION:				
AREA	REVISIONS	HK	DATE	2011.1.11