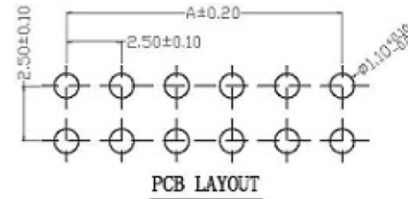
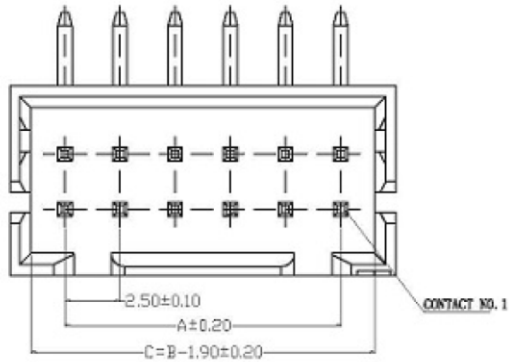
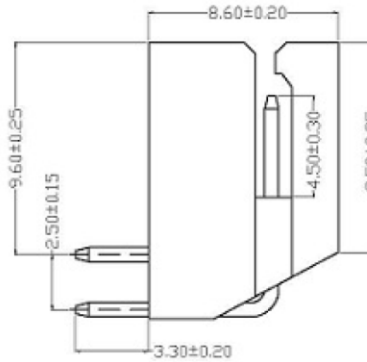
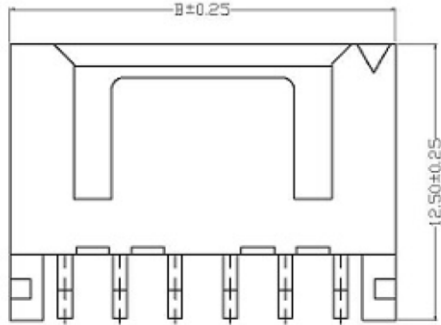
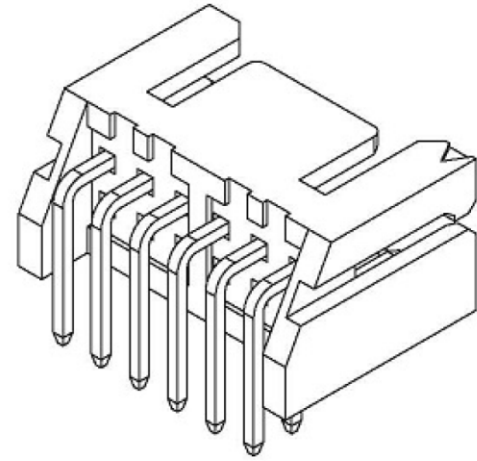


**SPECIFICATIONS**

- 1、Current Rating: 3A AC, DC
- 2、Voltage Rating: 250V AC, DC
- 3、Temperatuer Range: -25℃~+85℃
- 4、Contact Resistance: 30mΩ Max
- 5、Insulation Resistance: 1000MΩ Min
- 6、Withstanding Voltang: 800V AC/minute
- 7、Material:Wafer PA66,Beige UL94V-0  
PIN Brass Tin-plated



编号	尺寸 (mm)	
	A	B
XHD-R-04	2.50	7.50
XHD-R-06	5.00	10.00
XHD-R-08	7.50	12.50
XHD-R-10	10.00	15.00
XHD-R-12	12.50	17.50
XHD-R-14	15.00	20.00
XHD-R-16	17.50	22.50
XHD-R-18	20.00	25.00
XHD-R-20	22.50	27.50
XHD-R-22	25.00	30.00
XHD-R-24	27.50	32.50
XHD-R-40	47.50	52.50

**RoHS Compliant**

TOLERANCES ARE

**MORETHANALL**  
PCB CONNECTORS  
Cable ASSEMBLIES

DRAWING BY CY  
CHECKED BY GENIUS  
UNIT / mm SCALE 1 : 1  
DATE

X, ±  
.X ±  
.XX ±  
.XXX ±  
ANG ±

照片框

**ORDER INFORMATION**

XHD-R-xx-LF  
SERIES | LEADFREE  
04~40WAY  
DIP 90°

煜倫股份有限公司

www.morethanall.com

SIZE A4 PPROJECTION

DESCRIPTION: