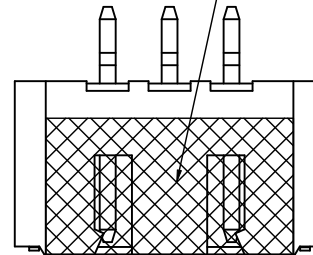


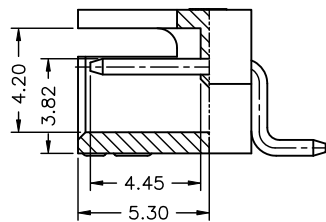
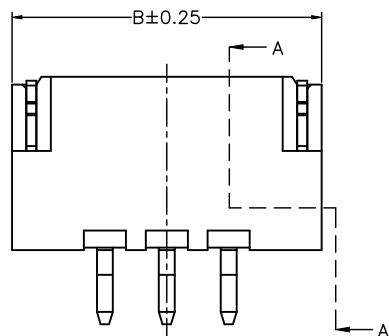
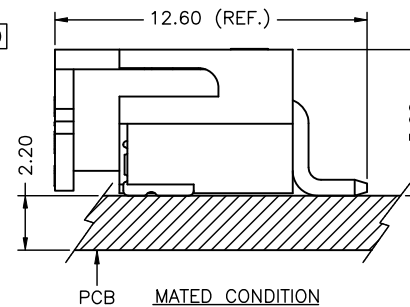
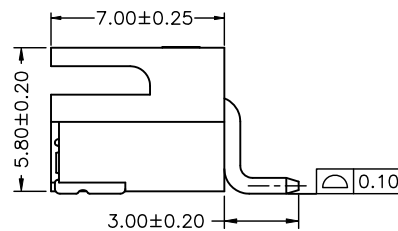
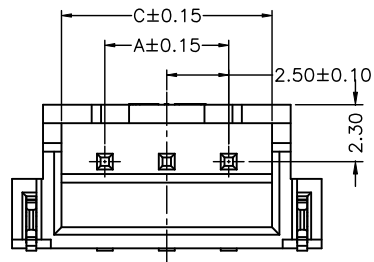
KAPTON TAPE
(FOR PICK AND
PLACE SYSTEMS)



02P~03P

SPECIFICATIONS

Current Rating: 3A AC,DC
Voltage Rating: 250V AC,DC
Temperature Range: -25°C ~ +85°C
Contact Resistance: 10mΩ Max
Insulation Resistance: 1000MΩ Min
Withstanding Voltage: 1000V AC/minute
Pin Material: Brass
Solder Tabs: Brass



SEC:A-A

Circuit No.	Dimensions			Circuit No.	Dimensions		
	A	B	C		A	B	C
02P	2.50	10.00	6.00	09P	20.00	27.50	23.50
03P	5.00	12.50	8.50	10P	22.50	30.00	26.00
04P	7.50	15.00	11.00	11P	25.00	32.50	28.50
05P	10.00	17.50	13.50	12P	27.50	35.00	31.00
06P	12.50	20.00	16.00	13P	30.00	37.50	33.50
07P	15.00	22.50	18.50	14P	32.50	40.00	36.00
08P	17.50	25.00	21.00	15P	35.00	42.50	38.50

RoHS Compliant

TOLERANCES ARE

MORETHANALL
PCB CONNECTORS
Cable ASSEMBLIES

煜倫股份有限公司

www.morethanall.com

DRAWING BY CY

CHECKED BY GENIUS

UNIT / mm

SCALE 1 : 1

DATE

SIZE A4

P PROJECTION

X, ±
.X ± 0.25
.XX ± 0.15
.XXX ± 0.05
ANG ±

照片框

ORDER INFORMATION

XH-WC-xx-LF
SERIES | LEADFREE
02-15WAY
MYLAR
90°SMT

DESCRIPTION: 2.50mm PITCH 90° WAFER-SMT TYPE