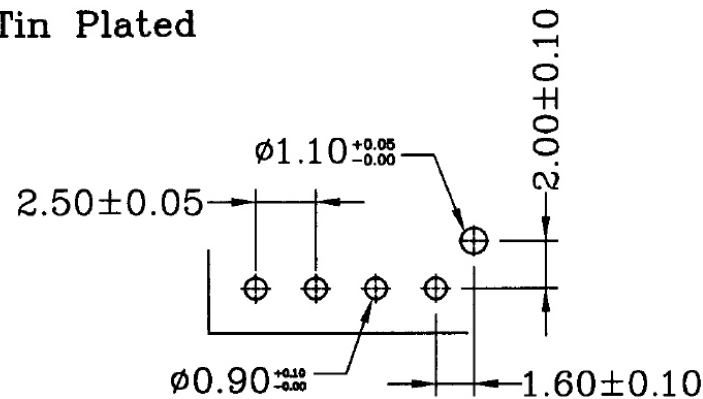
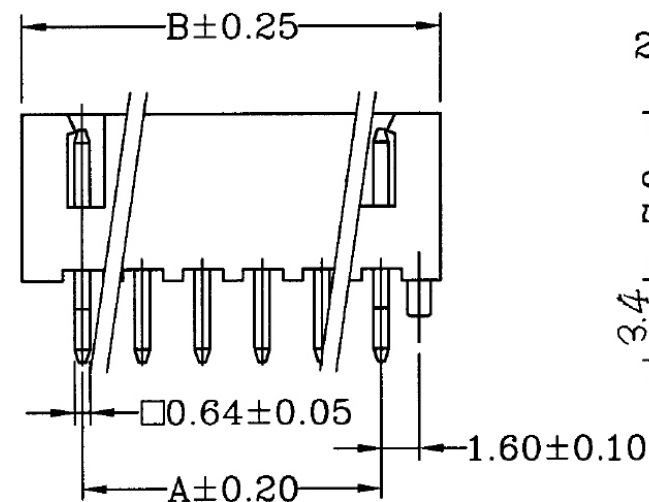
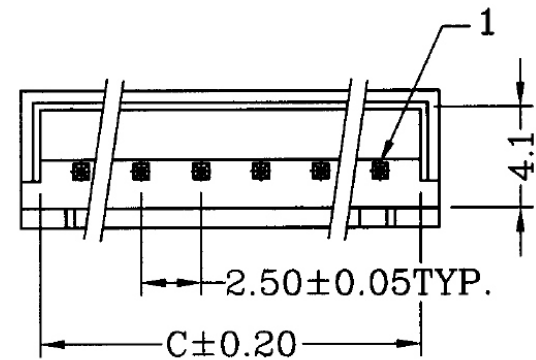


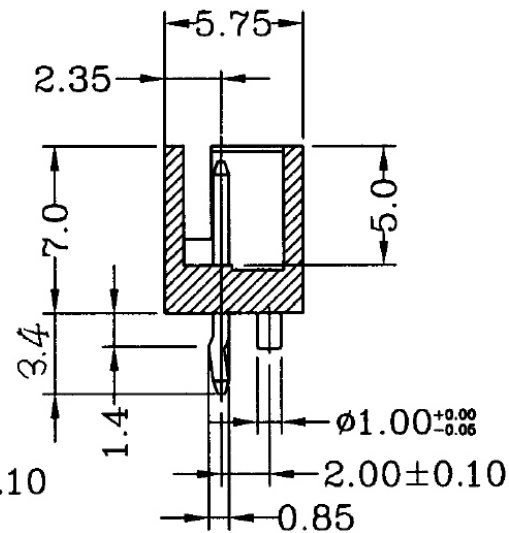
Material: *Insulator: Nylon 66 UL 94V-0

*Contact: Brass, Tin Plated

Note: BS--Boss Type



P.C.B LAYOUT



Dimensional & Ordering Information:

Circuits	Dimensions			PCS/BAG
	A	B	C	
2	2.50	7.50	6.10	1000
3	5.00	10.00	8.60	1000
4	7.50	12.50	11.10	1000
5	10.00	15.00	13.60	1000
6	12.50	17.50	16.10	1000
7	15.00	20.00	18.60	500
8	17.50	22.50	21.10	500
9	20.00	25.00	23.60	500
10	22.50	27.50	26.10	500
11	25.00	30.00	28.60	500
12	27.50	32.50	31.10	500
13	30.00	35.00	33.60	500
14	32.50	37.50	36.10	500
15	35.00	40.00	38.60	500
16	37.50	42.50	41.10	250
17	40.00	45.00	43.60	250
18	42.50	47.50	46.10	250
19	45.00	50.00	48.60	250
20	47.50	52.50	51.10	250



RoHS Compliant

TOLERANCES ARE



DRAWING BY CY

CHECKED BY GENIUS

UNIT / mm SCALE 1:1

DATE

SIZE A4

X.±
.X±
.XX±
.XXX±
ANG±

P PROJECTION

照片框

ORDER INFORMATION

XH-DP-xx-LF
SERIES | LEADFREE
02-20WAY
POST
DIP 180°

煜倫股份有限公司

www.morethanall.com

DESCRIPTION: