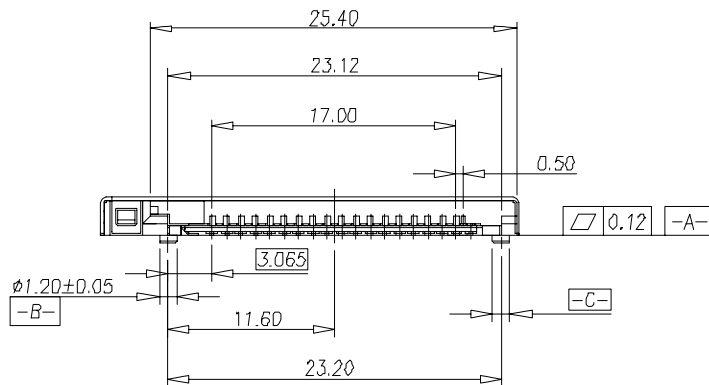


SOLID TAIL DETAIL
SCALE 2:1



XDC-W23P-20-LF
LEADFREE

RoHS Compliant

MORETHANALL
CONNECTORS
ASSEMBLIES

PART NO. XDC-W23P-20

DWG NO. XDC-W23P-20

FILE NO.

CHECKED BY CY

DRAWING BY

TOLERANCES ARE

.X ± 0.2
.XX ±
.XXX ±
AWG

DESCRIPTION:

XD-PICTURE MEMORY CARD
PUSH-PUSH CONNECTOR TYPE B

AREA

REVISIONS

HK

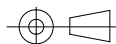
DATE

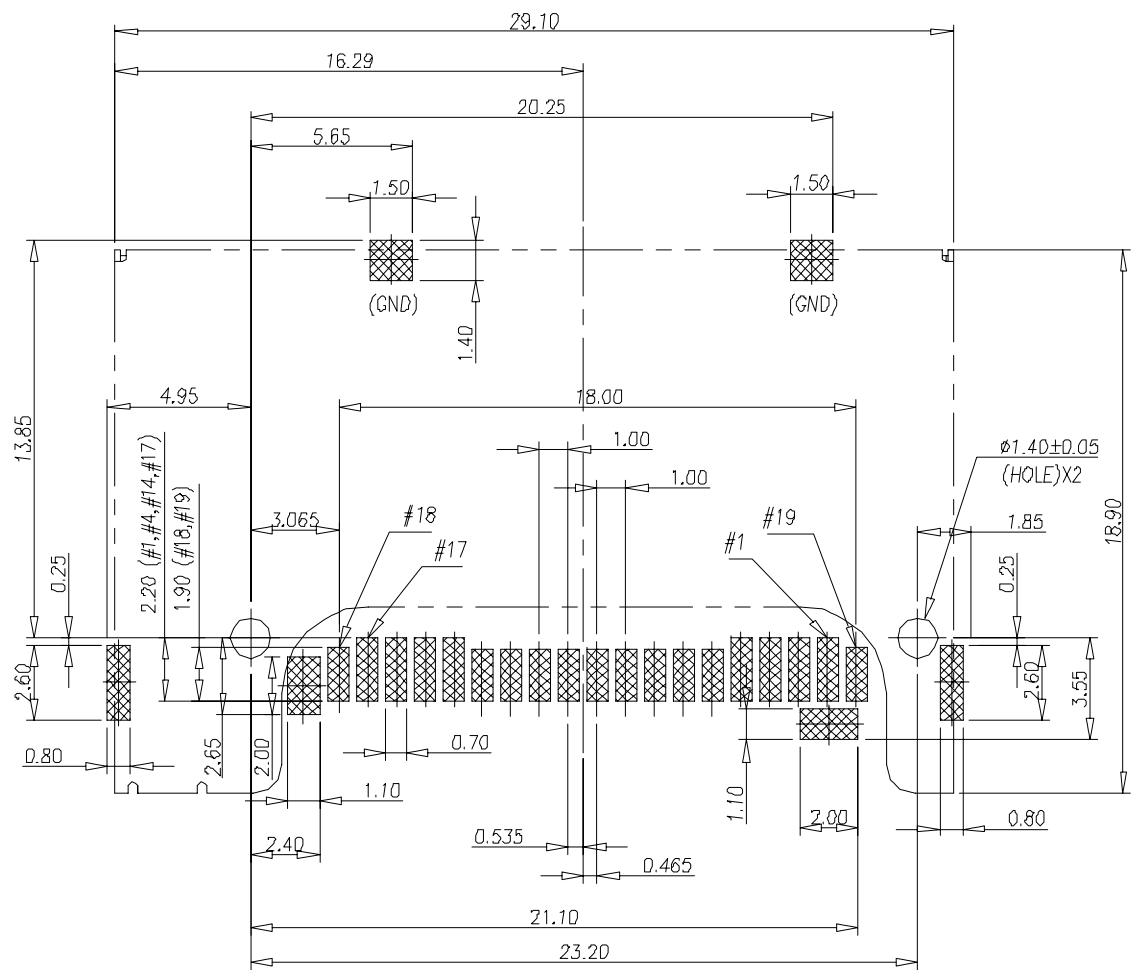
煜倫股份有限公司

UNIT / mm

SCALE 1:1

PROJECTION





P.C.B Layout

XD			
PIN	NAME	PIN	NAME
1	GND	11	D1
2	R/B#	12	D2
3	RE#	13	D3
4	CE#	14	D4
5	CLE	15	D5
6	ALE	16	D6
7	WE#	17	D7
8	WP#	18	VCC
9	GND	19	CD#
10	DO		



PART NO. XDC-W23P-20

DWG NO. XDC-W23P-20

FILE NO.

CHECKED BY CY

DRAWING BY

TOLERANCES ARE
 .X ± 0.2
 .XX ±
 .XXX ±
 AWG

DESCRIPTION:

XD-PICTURE MEMORY CARD
 PUSH-PUSH CONNECTOR TYPE B

煜倫股份有限公司

UNIT / mm

SCALE 1:1

PROJECTION

AREA

REVISIONS

HK

DATE