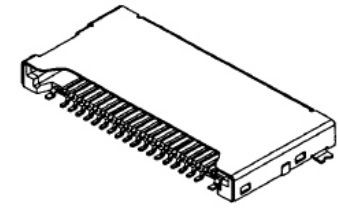


SPECIFICATION
MATERIAL
 Insulator: Thermoplastic, rated UL94V-0
 Contacts: Copper Alloy
 Shell: Steel
CONTACT PLATING
 Underplate: 50u"~100u" Nickel
 Contact area: 1u"~15u" Selective gold
 Solder tails area: 100u"~200u" Tin(Lead Free)
ELECTRICAL
 Operation voltage: 3.3 V
 Current rating: 0.5 Amps max.
 Contact resistance: 40 mohms initial
 Insulation resistance: 1000 Mohms min @ 500 VDC
 Dielectric withstanding voltage: 500 VAC / minute
 Temperature range: -20°C TO +85°C
 Mating cycles: 10,000 insertions



XDC-W21X-20-LF
 LEADFREE
 RoHS Compliant

MORETHANALL
 CONNECTORS
 ASSEMBLIES

PART NO. XDC-W21X-20

DWG NO. XDC-W21X-20

CHECKED BY CY

TOLERANCES ARE

DESCRIP TION:

FILE NO.

DRAWING BY

.X ± 0.2
 .XX ±
 .XXX ±
 AWG

煜倫股份有限公司

UNIT / mm

SCALE 1:1

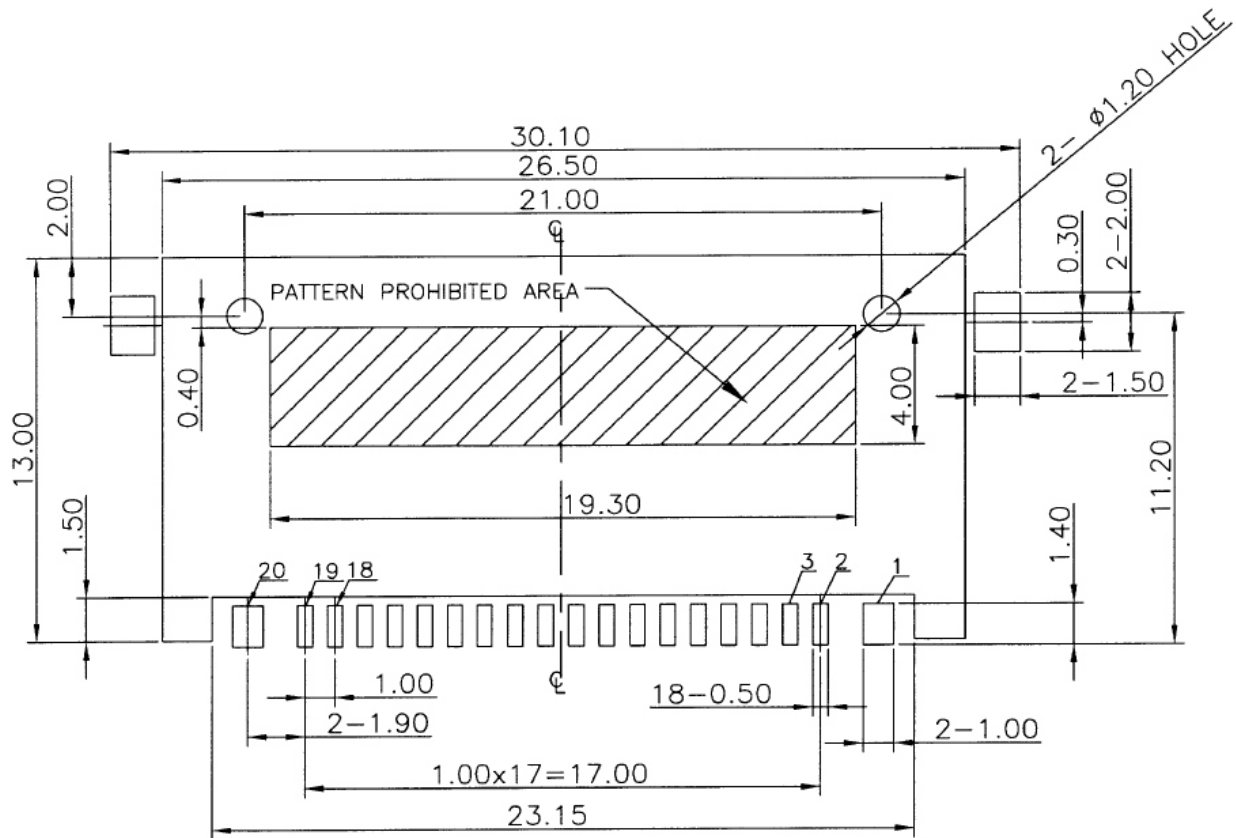
PROJECTION

AREA

REVISIONS

HK

DATE



Pin NO.	DESCRIPTION
01	GND
02	CD
03	R/-B
04	-RE
05	-CE
06	CLE
07	ALE
08	-WE
09	-WP
10	GND
11	DO
12	D1
13	D2
14	D3
15	D4
16	D5
17	D6
18	D7
19	VCC
20	VCC

Recommended PCB Layout
Tolerances: ±0.05



PART NO. XDC-W21X-20		CHECKED BY CY	TOLERANCES ARE .X ± 0.2 .XX ± .XXX ± AWG	DESCRIPTION:			
DWG NO. XDC-W21X-20							
FILE NO.		DRAWING BY	AREA	REVISIONS	HK	DATE	
UNIT / mm	SCALE 1:1	PROJECTION					

煜倫股份有限公司