

P.C.B LAYOUT

***MATERIAL**

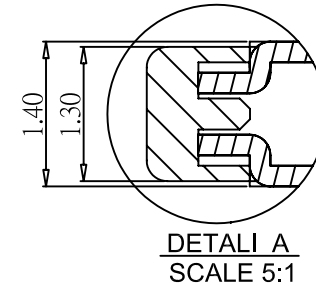
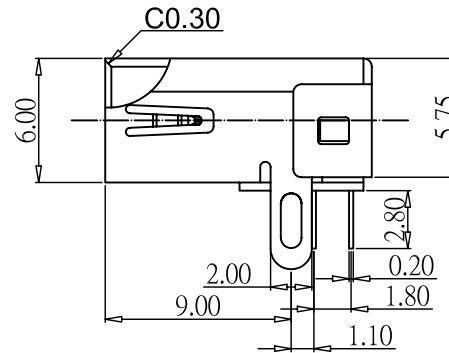
BODY : LCP UL 94V-0 RATED, COLOR: BLACK

CONTACTS : BRONZE C5191 T=0.20

CONTACT PLATING : GOLD G/F PLATING AREA TIN 120u" MIN
ON CONTACT OVER NICKEL 40-60U" PLATING ON TERMINAL

SHELL:SPCC T=0.40

SHELL PLATING:PLATING NICKEL 80U"MIN OVER
COPPER 60-80U" RENDER ON SHELL



DETAIL A
SCALE 5:1

XB20-SRP-12-LF
LEADFREE
RoHS Compliant

MORETHANALL
CONNECTORS
ASSEMBLIES

PART NO. XB20-SRP-12

DWG NO. XB20-SRP-12

FILE NO.

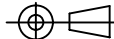
UNIT / mm

SCALE 1:1

CHECKED BY CY

DRAWING BY

PROJECTION



TOLERANCES ARE

.X ± 0.2
.XX ±
.XXX ±
AWG

DESCRIPTION: 12PIN母頭

AREA

REVISIONS

HK

DATE

焯倫股份有限公司