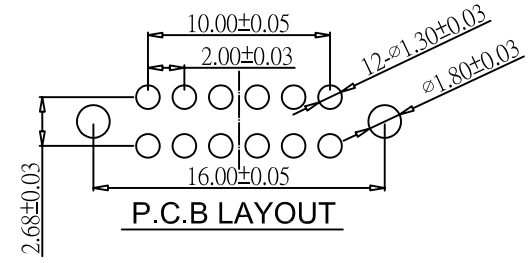
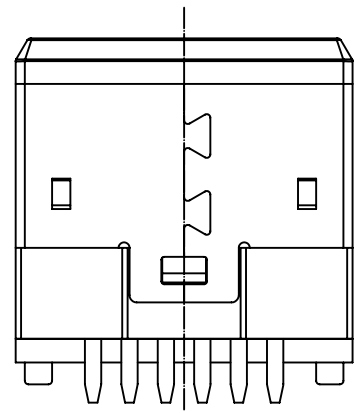
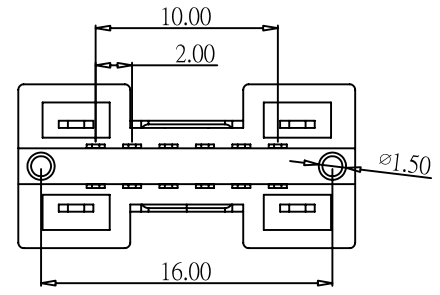
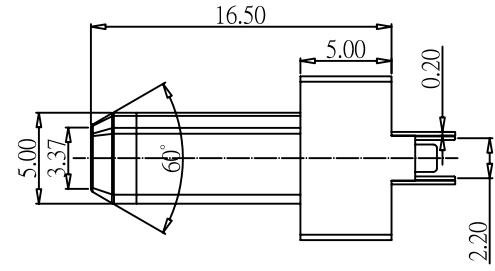
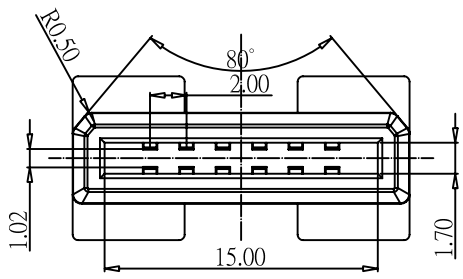


\*MATERIAL  
 BODY: PA66+30% UL 94V-0 RATED,COLOR:BLACK  
 LATCH : LCP UL 94V-0 RATED,COLOR:BLACK  
 CONTACTS : BRONZE C5191 T=0.20  
 CONTACT PLATING : GOLD G/F PLATING AREA TIN 120u" MIN  
 ON CONTACT OVER NICKEL 40-60U" PLATING ON TERMINAL

SHELL:SPCC T=0.40  
 SHELL PLATING:PLATING NICKEL 80U"MIN OVER  
 COPPER 60-80U" RENDER ON SHELL



XB20-PDP-12-LF  
 LEADFREE  
 RoHS Compliant

**MORETHANALL**  
 CONNECTORS  
 ASSEMBLIES

焯倫股份有限公司

PART NO. XB20-PDP-12

DWG NO. XB20-PDP-12

FILE NO.

UNIT / mm

SCALE 1:1

CHECKED BY CY

DRAWING BY

PROJECTION

TOLERANCES ARE

.X ± 0.2  
 .XX ±  
 .XXX ±  
 AWG

DESCRIP TION:		12PIN公頭			
AREA	REVISIONS	HK	DATE		