

RECOMMENDED PCB LAYOUT
TOLERANCE±0.05

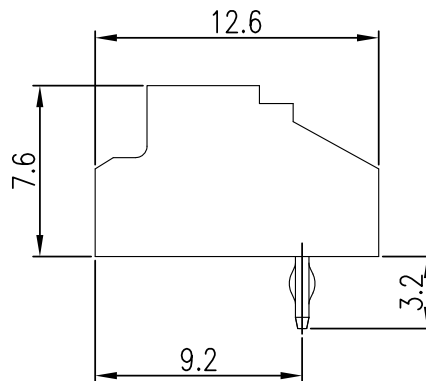
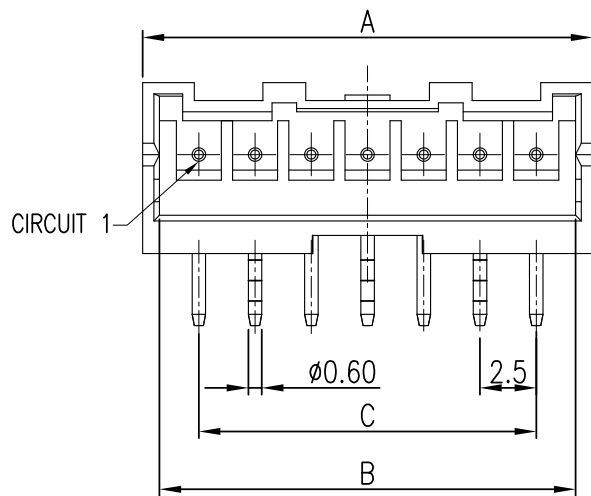
NOTE:

1. MATERIAL SPECIFICATION:

1.1 INSULATION: NYLON 66 UL 94V-0

1.2 CONTACT: Ø0.60mm COPPER ALLOY

2. FINISH: TIN/GOLD PLATED



POS	A	B	C
02	7.50	5.83	2.50
03	10.00	8.33	5.00
04	12.50	10.83	7.50
05	15.00	13.33	10.00
06	17.50	15.83	12.50
07	20.00	18.33	15.00
08	22.50	20.83	17.50
09	25.00	23.33	20.00
10	27.50	25.83	22.50
11	30.00	28.33	25.00
12	32.50	30.83	27.50
13	35.00	33.33	30.00
14	37.50	35.83	32.50
15	40.00	38.33	35.00
16	42.50	40.83	37.50
17	45.00	43.33	40.00
18	47.50	45.83	42.50
19	50.00	48.33	45.00
20	52.50	50.83	47.50

RoHS Compliant

TOLERANCES ARE

MORETHANALL
PCB CONNECTORS
Cable ASSEMBLIES

DRAWING BY CY

CHECKED BY GENIUS

UNIT / mm

SCALE 1 : 1

DATE

SIZE A4

X. ±
.X ± 0.30
.XX ± 0.20
.XXX ± 0.10
ANG ±

P PROJECTION

照片框

ORDER INFORMATION

XA-RX-xx-HF
SERIES | HALOGEN FREE
| 02~20WAY
| NON POST
| DIP 90°

DESCRIPTION: 2.5mm PITCH RIGHT ANGLE DIP TYPE CONNECTOR

煜倫股份有限公司

www.morethanall.com