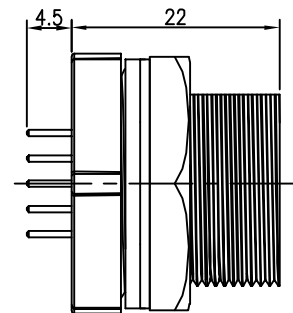
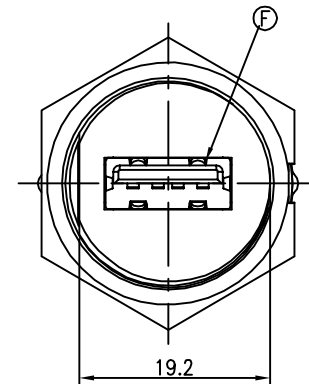
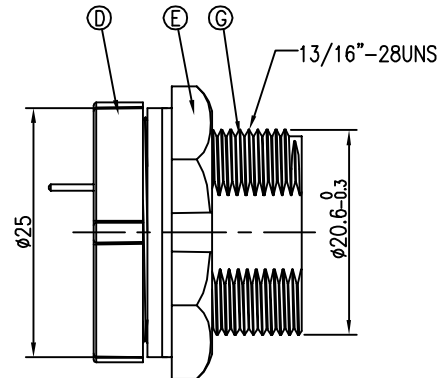
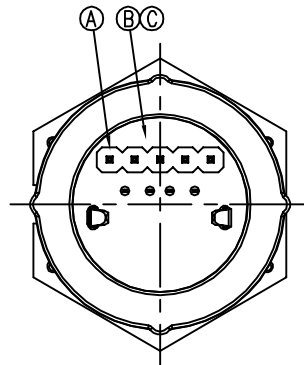
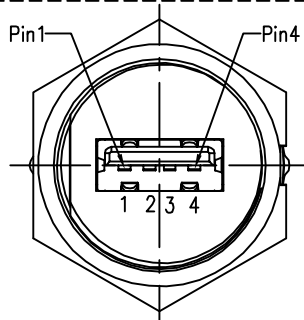


5 Pin Wafer PCB Layout

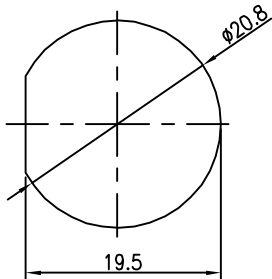


NOTES:

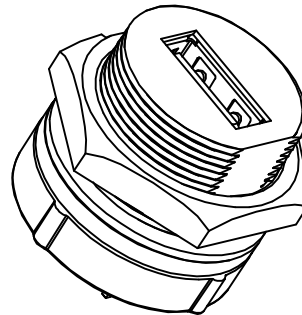
1. WATERPROOF RATE: IP67  
IP67: IMMERSED IN 1M WATER FOR 30 MINUTES
2. ELECTRICAL CHARACTERISTICS:  
1-1. RATING: 30V 1A  
1-2. CONTACT RESISTANCE: 30mΩ MAX.(INITIAL)  
1-3. DIELECTRIC WITHSTANDING VOLTAGE: 500V AC FOR ONE MINUTE  
1-4. INSULATION RESISTANCE: 100MΩ MIN. MEASURED BY 500 VDC
3. OTHER GENERAL SPEC. TO REFER "2UB1518 SERIES SPEC".
4. INSERTION FORCE: 3.5KGF MAX.  
WITHDRAW FORCE: 0.5KGF MIN.
5. TO CONFORM TO SINGATRON HAZARDOUS SUBSTANCE FREE SPEC.
6. GREEN PRODUCT IDENTIFICATION LABEL ON PACKAGING
7. FOR PANEL THICKNESS MAX OF 4.0mm



PIN ASSIGNMENTS  
FRONT VIEW



RECOMMENDED PANEL CUT-OUT



WUB-SDPB-4A-LF  
LEADFREE  
RoHS Compliant

NO	DESCRIPTION	QTY	MATERIAL	PLATING & COLOR
G	HOUSING	1	NYLON66	BLACK
F	USB A JACK	1	P/N: USB-SD-4A	N/A
E	SCREW NUT	1	NYLON+33%GF(70G33L)	BLACK
D	SEALING NUT	1	NYLON66	BLACK
C	O-RING	1	EPDM	BLACK
B	PCB	1	FR-4	GREEN
A	WAFER	1	H-D-1X05	BLACK

**MORETHANALL**  
CONNECTORS  
ASSEMBLIES

PART NO. WUB-SDPB-4A

DWG NO. WUB-SDPB-4A

FILE NO.

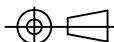
UNIT / mm

SCALE 1:1

CHECKED BY CY

DRAWING BY

PROJECTION



TOLERANCES ARE

.X ± 0.2  
.XX ±  
.XXX ±  
AWG

DESCRIPTION: WATERPROOF USB 2.0 JACK

AREA

REVISIONS

HK

DATE

煜倫股份有限公司