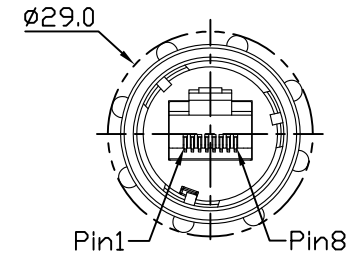
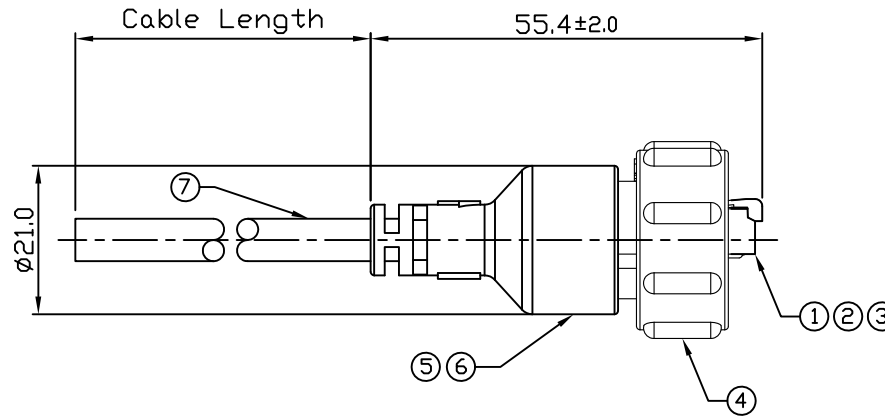




Wiring Diagram



Item	Part Name	Material/Finish	Q'ty
1	Housing	Thermal Plastic Color: Black	1
2	RJ45 Plug	Shell: Cold Roll Steel Finish: Ni Plated	1
		Thermal Plastic Color: Clean	1
		Contacts: Copper Alloy Finish: Au Plated	8
3	Rubber Pad	Silicone Color: Black	1
4	Lock Nut	Zn Alloy Finish: Ni Plated	1
5	Inner Mold	Thermal Plastic Color: White	1
6	Over Mold	PVC Color: Black	1
7	Cable	CAT5E 24AWG*4P+MEA, ØD=6.0±0.2mm Color: Black	1

Part No.	Cable Length	Tol.
WRJX1-0800BK-M1M	1000 mm	±50

RoHS Compliant

TOLERANCES ARE

MORETHANALL
PCB CONNECTORS
Cable ASSEMBLIES

煜倫股份有限公司

www.morethanall.com

DRAWING BY CY

CHECKED BY GENIUS

UNIT / mm

SCALE 1:1

DATE

SIZE A4

X ± 0.50

.X ± 0.20

.XX ± 0.05

.XXX ±

ANG ± 0.5°

PPOJECTION

照片框

ORDER INFORMATION

WRJX1-0800BK-M1M-LF

SERIES

8 PIN

MALE

BLACK

LEADFREE

1000mm

DESCRIPTION: RJ45 C3 Metal Shielded Cable End, Lock