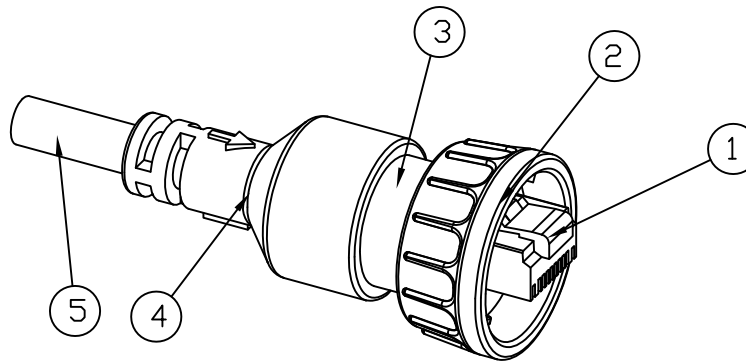
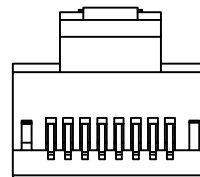


No.	DESCRIPTION	Material
1	RJ45 MALE PLUG	Housing:Thermal Plastic;Black Contacts:Copper Alloy;Gold Plating
2	METAL LOCK NUT	ZN ALLOY
3	PLUG HOKDER	Thermal Plastic;Black
4	OVER MOLDING	Thermal Plastic;Black
5	CABLE	Thermal Plastic;Black



RJ45 SHIELDED		
Pin	Name	Function
1	TX D1+	TRANCEIVE DATA+
2	TX D1-	TRANCEIVE DATA-
3	RX D2+	RECEIVE DATA+
4	BI D3+	BI DIRECTIONAL DATA+
5	BI D3-	BI DIRECTIONAL DATA-
6	RX D2-	RECEIVE DATA-
7	BI D4+	BI DIRECTIONAL DATA+
8	BI D4-	BI DIRECTIONAL DATA-



1 2 3 4 5 6 7 8
RJ45 Pin Assignment

RoHS Compliant

TOLERANCES ARE

MORETHANALL
PCB CONNECTORS
Cable ASSEMBLIES

DRAWING BY CY

CHECKED BY GENIUS

UNIT / mm SCALE 1 : 1

DATE

SIZE A4

X, ±
.X ±
.XX ±
.XXX ±
ANG ±

P PROJECTION

照片框

ORDER INFORMATION

WRJX1-0808-M1M-LF

SERIES

8P8C

LEADFREE

1000mm

MALE

煜倫股份有限公司

www.morethanall.com

DESCRIPTION: