

NOTES:

1. MATERIAL:
 - 1.1 HOUSING&NUT: ENGINEERING THERMOPLASTIC, UL94V-0, COLOR:BLACK.
 - 1.2 GASKET: SILICON, COLOR:RED.
 - 1.3 CONTACT: PHOSPHOR BRONZE.
2. FINISH:
 - 2.1 CONTACT: GOLD PLATING OVER NICKEL IN CONTACT.

RoHS Compliant

TOLERANCES ARE

MORETHANALL
PCB CONNECTORS
Cable ASSEMBLIES

DRAWING BY CY

X. ± 0.50

CHECKED BY GENIUS

.X ± 0.38

UNIT / mm

SCALE 1:1

.XX ± 0.25

DATE

.XXX ± 0.10

ANG ±

照片框

ORDER INFORMATION

WPUB-FSPBNOBKMCC-4A4A-LF

SERIES

FEMALE TO FEMALE

PANEL BACK

NUT+RING

LEADFREE
4 TO 4 PIN A TYPE

CHAIN COVER

SCREW/ON

BLACK

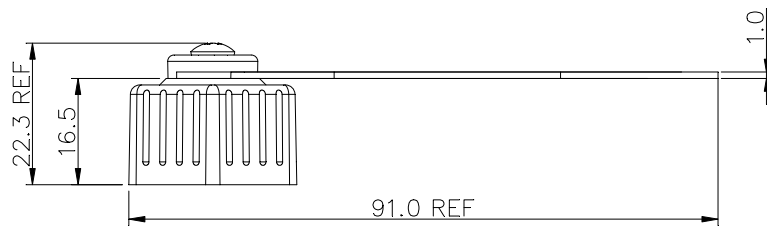
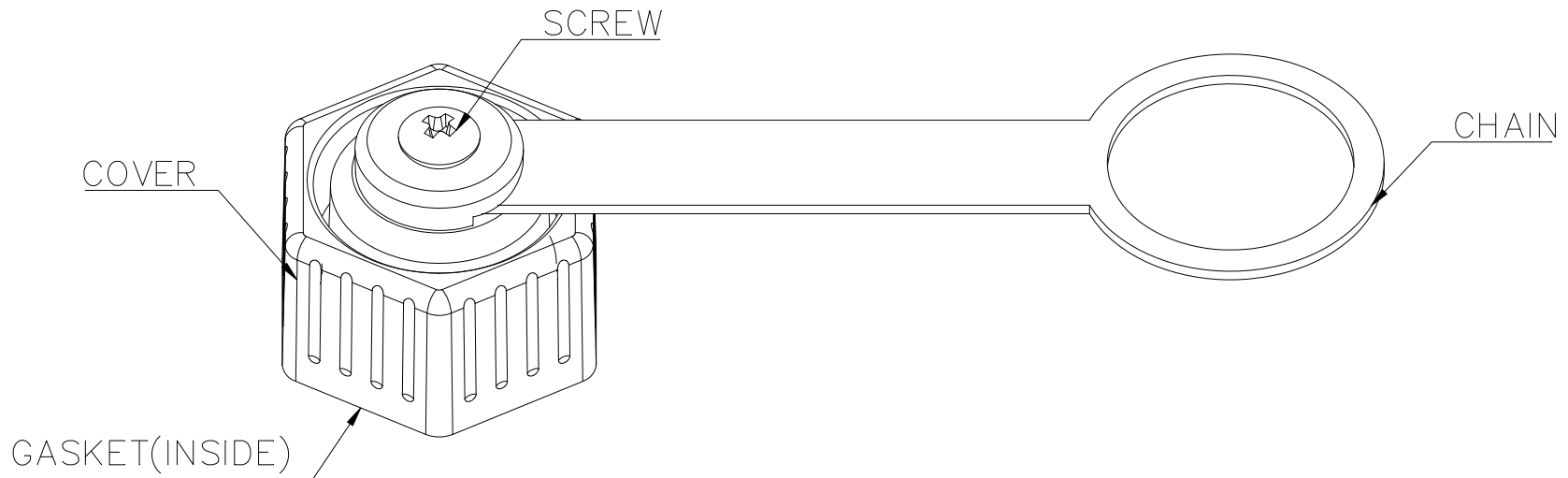
煜倫股份有限公司

www.morethanall.com

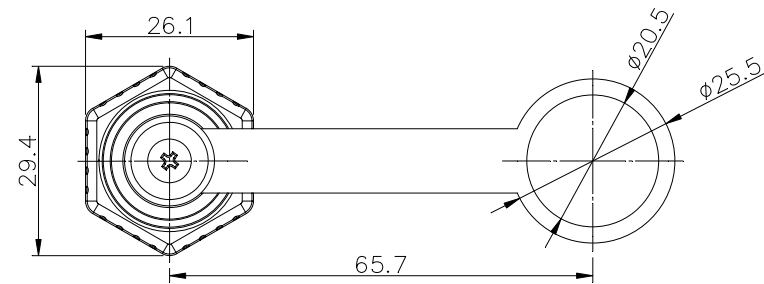
SIZE A4

PJECTION

DESCRIPTION:



SCALE 1: 2



SCALE 1: 2

MATERIAL:

- 1.COVER: ENGINEERING THERMOPLASTIC
UL 94V-0. PC-LN1250G COLOR:BLACK.
- 2.CHAIN: SILICON. COLOR:BLACK.
- 3.SCREW: STAINLESS STEEL
- 4.GASKET: SILICON. COLOR:RED.

RoHS Compliant

TOLERANCES ARE

MORETHANALL
PCB CONNECTORS
Cable ASSEMBLIES

煜倫股份有限公司

www.morethanall.com

DRAWING BY CY

CHECKED BY GENIUS

UNIT / mm

SCALE 1: 1

DATE

SIZE A4

X. ± 0.50

.X ± 0.38

.XX ± 0.25

.XXX ± 0.10

ANG ±

PJECTION

照片框

ORDER INFORMATION

WPUB-FSPBNOBKMCC-4A4A-LF

SERIES

FEMALE TO FEMALE

PANEL BACK

NUT+RING

CHAIN

COVER

SCREW/ON

BLACK

LEADFREE

4 TO 4 PIN A TYPE

DESCRIPTION: