

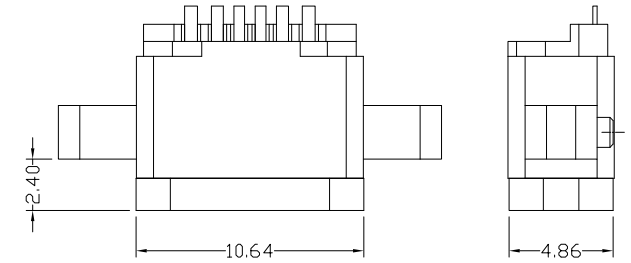
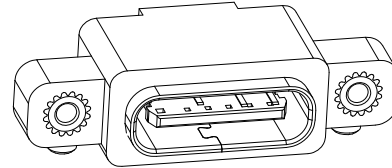
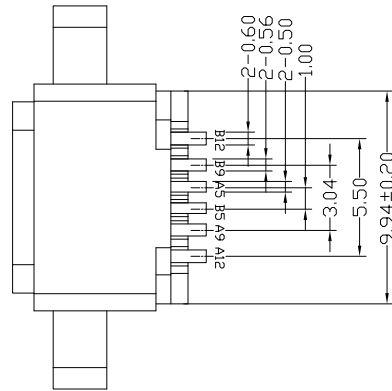
NOTES:

1.ELECTRICAL:

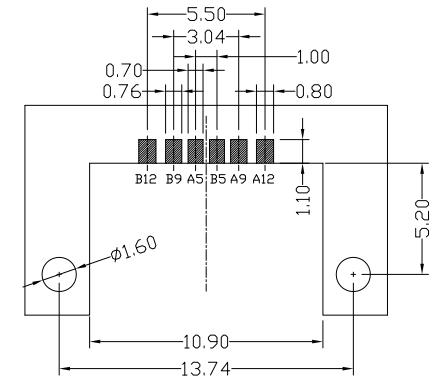
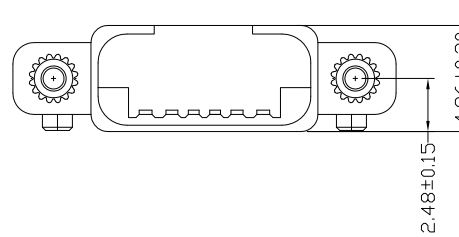
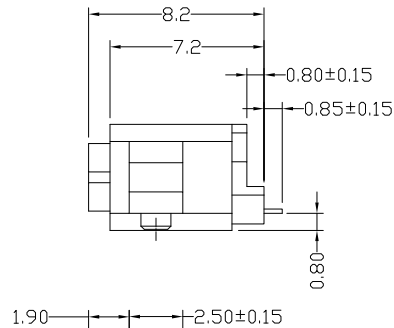
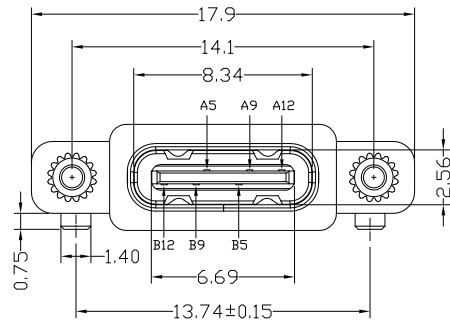
- 1)CURRENT RATING: 3A MAX.
- 2)INSULATION RESISTANCE: 100MΩ MIN;
- 3)CONTACT RESISTANCE: 40mΩ MAX;
- 4)WITHSTANDING VOLTAGE: 100V AC
- 5)OPERATING TEMPERATURE:-30°C TO +85°C.

2.Mechanical:

- 1)Mating Force: 5N~20N
- 2)Unmating Force: 8N~20N
- 3) Durability: 10,000 cycles
- 3.DIMENSIONS MARKED "▼"
TO BE CHECKED BY Q.C & IPQC.



加防水圈示意图



RECOMMENDED P.C.B. LAYOUT
TOLERANCE UNSPECIFIED ±0.05mm

A5	CC1	B12	GND
A9	VBUS	B9	VBUS
A12	GND	B5	CC2
PIN	SIGNAL NAME	PIN	SIGNAL NAME

6	WATERPROOF RING	硅橡胶	1	BLACK
5	NUT	COPPER ALLOY	1	
4	SHIELDING PLATE	STAINLESS STEEL	1	
3	CONTACT	COPPER ALLOY	6	PLATED GOLD/TIN
2	SHELL HOUSING	LCP+30%GF	1	UL94V-0
1	HOUSING	LCP+30%GF	1	UL94V-0
NO	PARTS	MATERIAL	QTY	FINISHING



RoHS Compliant
2002/95/EC



RoHS Compliant

TOLERANCES ARE

MORETHANALL
PCB CONNECTORS
Cable ASSEMBLIES

煜倫股份有限公司

www.morethanall.com

DRAWING BY CY

CHECKED BY GENIUS

UNIT / mm SCALE 1 : 1

DATE

SIZE A4

X, ±
.X ± 0.30
.XX ± 0.20
.XXX ± 0.10
ANG ±

PJECTION

照片框

ORDER INFORMATION

WPUB-SWP137PE-24C06-LF

SERIES
LEADFREE
24P06C
PANEL EAR
POST 13.74mm
90°SMT
FEMALE

DESCRIPTION: USB Type-CF 单排6P 带螺母 防水型