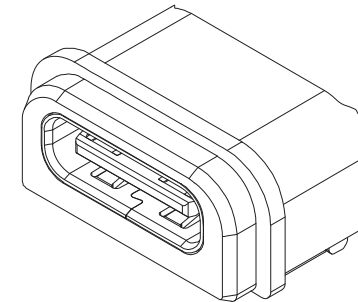


- NOTE:
- Material:
 - All Housing: LCP(Polyplastics),Black,Thermoplastics,UL94V-0
 - Insulation Jacket: LCP(Polyplastics),Black,Thermoplastics,UL94V-0
 - Contact: Copper Alloy
 - Mid Plate: Stainless Steel
 - Outer Shell: Stainless Steel
 - Inner Shell: Stainless Steel
 - FINISH:
 - Contact: Au 2u" Min. over Pd-Ni 30u" Min. on Contact Area
 - Au 2u" Min. on Solder Area
 - 80~200u" Nickel Underplating Over All
 - Mid-Plate: 40~200u" Nickel Over All
 - Inner & Outer Shell: 40~200u" Nickel Over All
 - Outer Shell (Insulator) Minimum Thickness 0.40mm
 - Electrical Characteristics:
 - Current Rating: 5A For Pin(A4,A9,B4,B9)
 - 1.25A For Others Pin
 - Insulation Resistance: 100MΩ Min.
 - Contact Resistance: 50 mΩ Max.
 - Dielectric Withstanding Voltage: 100V/AC 1Minute
 - Mechanical Characteristics:
 - Insertion Force: 5~20N
 - Extraction Force: Initial: 8~20N
 - After durability: 6~20N
 - Durability :10000 Cycles
 - Operating Temperature: -30°C TO +85°C



UNLESS OTHERWISE SPECIFIED, TOLERANCE ON DECIMAL: ±0.3

RoHS Compliant

TOLERANCES ARE

MORETHANALL
PCB CONNECTORS
Cable ASSEMBLIES

DRAWING BY CY

X.±

CHECKED BY GENIUS

.X±

UNIT / mm

SCALE 1 : 1

.XXX±

DATE

ANG±

SIZE A4

PPOJECTION

照片框

ORDER INFORMATION

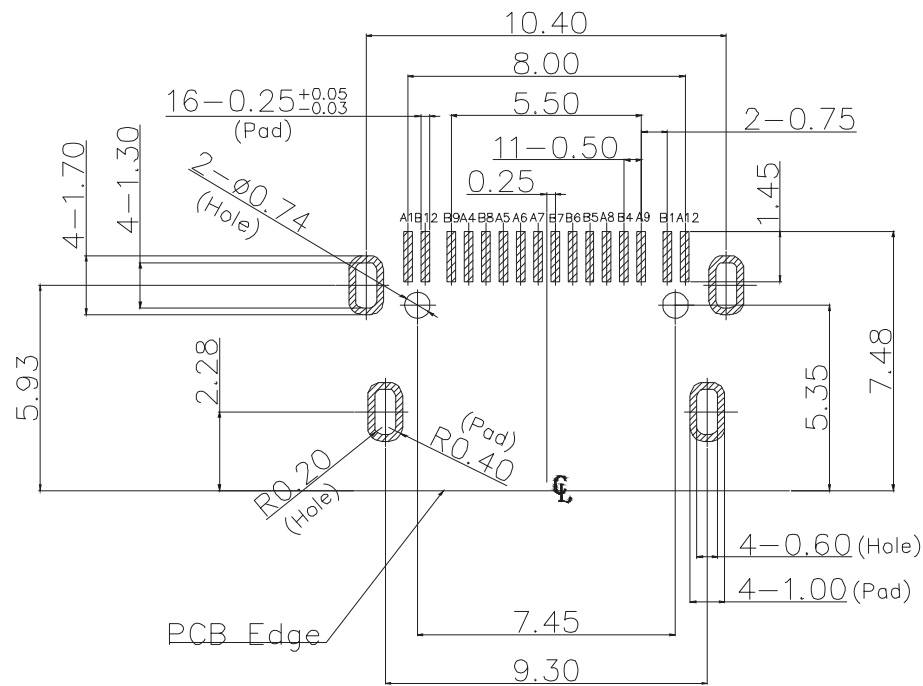
WPUB-SWMP9374MX-24C16-LF

SERIES | | | | LEADFREE
FEMALE | | | | 24P16C
NON SPRING
POST 7.45mm
METAL FOOT 9.30mm
90°SMT

DESCRIPTION:USB TYPE C FEMALE 16PIN SMT TYPE

煜倫股份有限公司

www.morethanall.com



5HFRPPHQGHG3&%/DIRXW
 *HQHUDO7ROHUDQFHf
 3DG\$UHD
 7RS9LHZ

UNLESS OTHERWISE SPECIFIED, TOLERANCE ON DECIMAL: ±0.3

PIN ASSIGNMENT

PIN NUMBER	SIGNAL NAME	PIN NUMBER	SIGNAL NAME
A1	GND	B12	GND
A2	TXI+	B11	RXI+
A3	TXI-	B10	RXI-
A4	VBUS	B9	VBUS
A5	CCI	B8	SBU2
A6	D+	B7	D-
A7	D-	B6	D+
A8	SBUI	B5	CCJ
A9	VBUS	B4	VBUS
A10	RXI-	B3	TXI-
A11	RXI+	B2	TXI+
A12	GND	B1	GND

RoHS Compliant

TOLERANCES ARE

MORETHANALL
 PCB CONNECTORS
 Cable ASSEMBLIES

DRAWING BY CY

CHECKED BY GENIUS

UNIT / mm SCALE 1 : 1

DATE

SIZE A4

X, ±
 .X ±
 .XX ±
 .XXX ±
 ANG ±

PJECTION

照片框

ORDER INFORMATION

WPUB-SWMP9374MX-24C16-LF

SERIES

FEMALE

90°SMT

24P16C
 NON SPRING
 POST 7.45mm
 METAL FOOT 9.30mm

LEADFREE

煜倫股份有限公司

www.morethanall.com

DESCRIPTION: