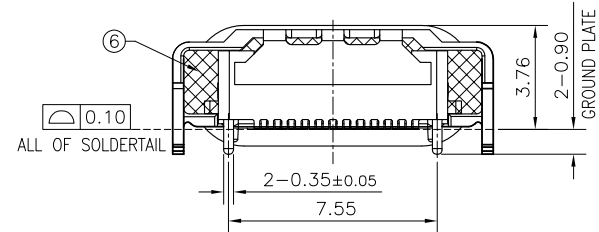
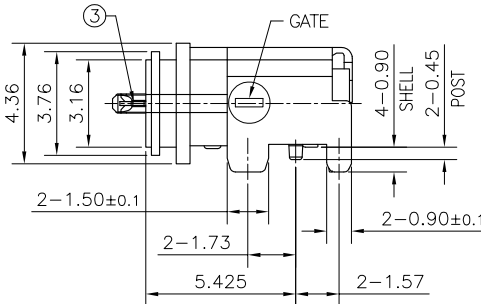
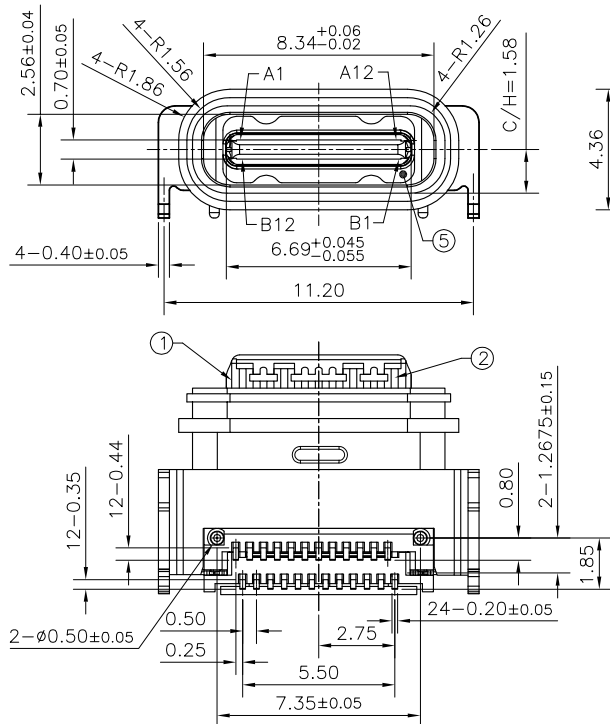


RECEPTACLE & PLUG MATED CONTITION

NOTES:

1. MATERIAL: SEE THE TABLE
2. FINISH:
 - 2.1 TERMINAL:
 - D. 30u" MIN. GOLD PLATING ON CONTACT.
 - 80u" MIN. NICKEL PLATING OVERALL.
 - 60u" MIN. MATT TIN PLATING ON SOLDER TAILS.
3. ELECTRICAL CHARACTERISTICS:
 - 3.1 CURRENT RATING: 5A
 - 3.2 LOW LEVEL CONTACT RESISTANCE:
 - INITIAL: 40mΩ MAX. , AFTER: 50mΩ MAX.
 - 3.3 DIELECTRIC WITHSTANDING VOLTAGE: 100VAC FOR 1 MINUTE.
 - 3.4 INSULATION RESISTANCE: 100MΩ MIN.
4. MECHANICAL CHARACTERISTICS:
 - 4.1 INSERTION FORCE: 5N~20N
 - 4.2 EXTRACTION FORCE: 8N~20N(INITIAL),6N~20N(AFTER TEST)
 - 4.3 DURABILITY: 10,000 CYCLES
5. WATER PROTECTION FOR IPX7



A12	GND	B1	GND
A11	SSRXp2	B2	SSTXp2
A10	SSRXn2	B3	SSTXn2
A9	VBUS	B4	VBUS
A8	SBU1	B5	CC2
A7	Dn1	B6	Dp2
A6	Dp1	B7	Dn2
A5	CC1	B8	SBU2
A4	VBUS	B9	VBUS
A3	SSTXn1	B10	SSRXn1
A2	SSTXp1	B11	SSRXp1
A1	GND	B12	GND
PIN	SIGNAL NAME	PIN	SIGNAL NAME

6	GLUE	1	SILICONE	BLACK
5	EMC PAD	1	STAINLESS STEEL SUS304 T=0.08mm	N/A
4	SHELL	1	STAINLESS STEEL 630(17-4 PH)	50u" MIN. NICKEL PLATING OVERALL.
3	GROUND PLATE	1	STAINLESS STEEL SUS301 T=0.15mm	50u" MIN. NICKEL PLATING OVERALL.
2	TERMINAL	24	COPPER ALLOY C19400 T=0.10mm	SEE THE NOTE
1	HOUSING	1	THERMALPLASTIC, PA9T,UL94V-0	BLACK
NO	DESCRIPTION	QTY	MATERIAL	PLATING & COLOR

RoHS Compliant

TOLERANCES ARE

MORETHANALL
PCB CONNECTORS
Cable ASSEMBLIES
煜倫股份有限公司

DRAWING BY CY

X. ± 0.50

CHECKED BY GENIUS

.X ± 0.25

UNIT / mm

SCALE 1 : 1

.XX ± 0.15

DATE

.XXX ± 0.10

ANG ± 2°

SIZE A4

PJECTION

照片框

ORDER INFORMATION

WPUB-SWMP112073MMX-24C-LF

SERIES

LEADFREE

24 WAY C TYPE

NON SPRING

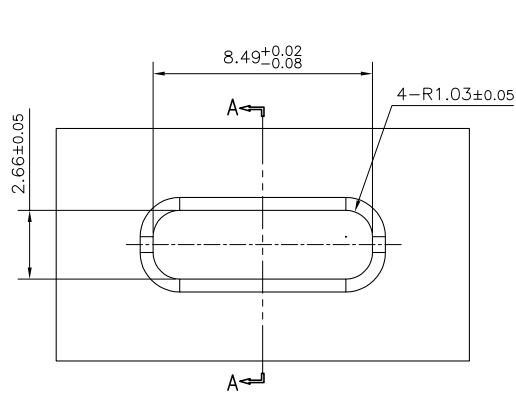
METAL FOOT

90°SMT

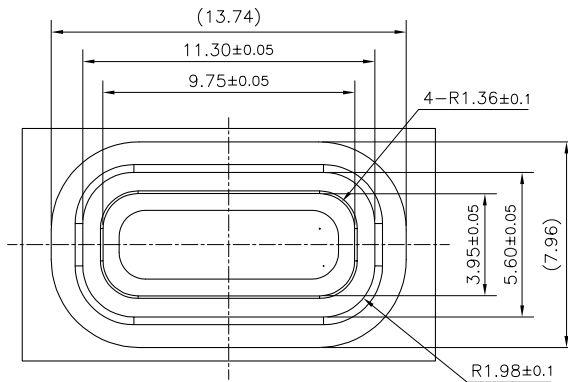
METAL FOOT 11.20mm+POST 7.35mm

DESCRIPTION: USB TYPE C REC CONN. DUAL SMT TYPE

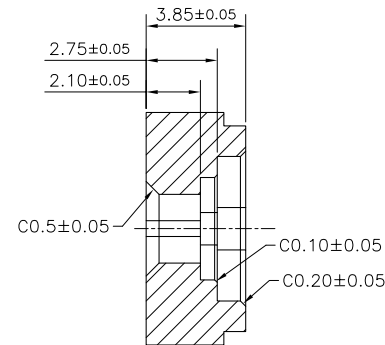
www.morethanall.com



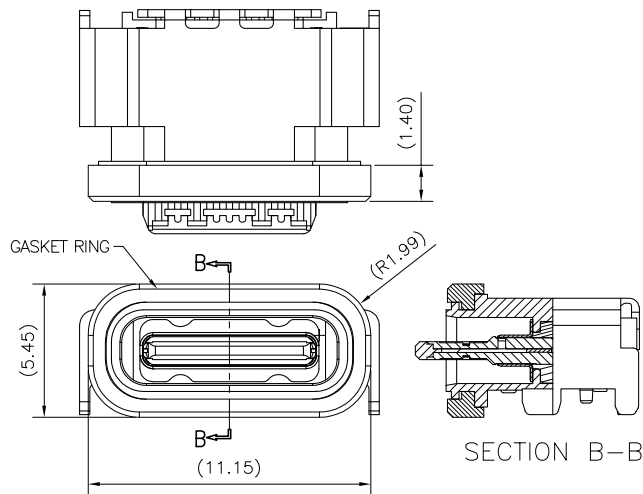
FRONT SIDE



BACK SIDE
CASE DIMENSION (REF.)

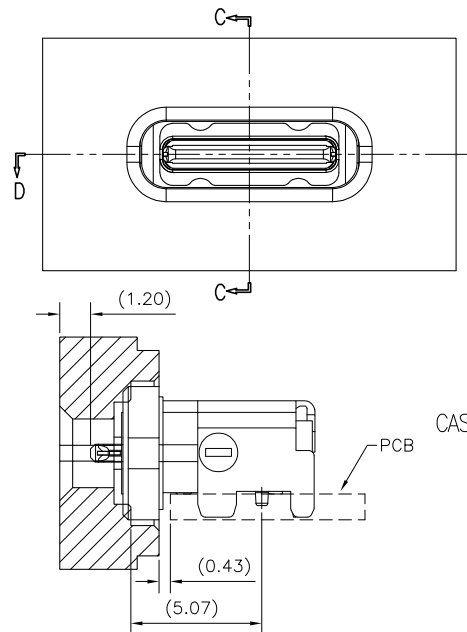


SECTION A-A

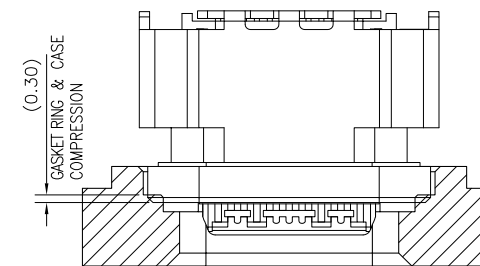


WITH GASKET RING DIMENSION

SECTION B-B



SECTION C-C



SECTION D-D

CASE INTEGRATION CONDITION (REF.)

RoHS Compliant

TOLERANCES ARE

MORETHANALL
PCB CONNECTORS
Cable ASSEMBLIES

煜倫股份有限公司

www.morethanall.com

DRAWING BY CY

CHECKED BY GENIUS

UNIT / mm SCALE 1 : 1

DATE

SIZE A4

X. ± 0.50

.X ± 0.25

.XX ± 0.15

.XXX ± 0.10

ANG ± 2°

PJECTION

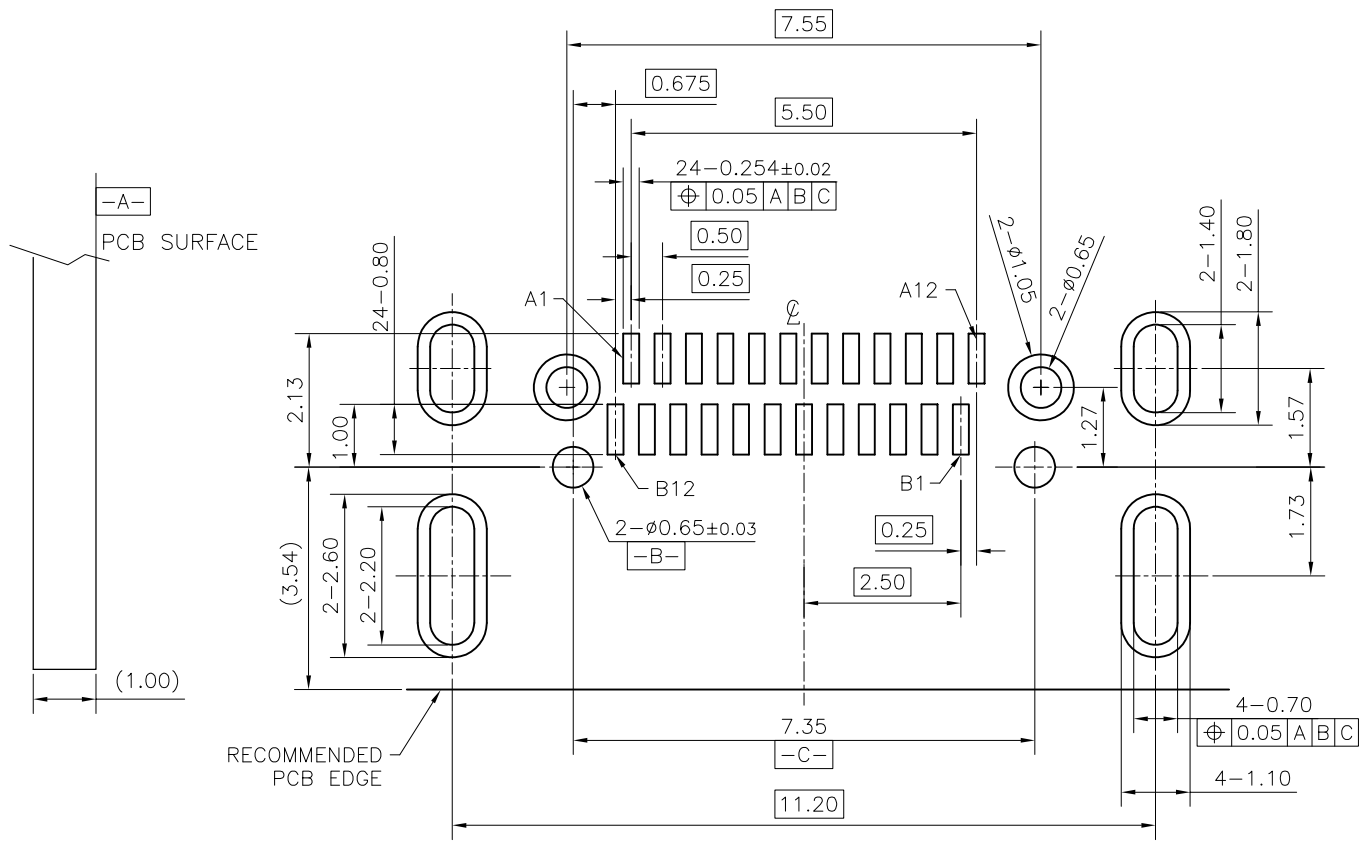
照片框

ORDER INFORMATION

WPUB-SWMP112073MMX-24C-LF

SERIES | FEMALE | 90°SMT | METAL FOOT 11.20mm+POST 7.35mm | METAL FOOT | NON SPRING | 24 WAY C TYPE | LEADFREE

DESCRIPTION: USB TYPE C REC CONN. DUAL SMT TYPE



RECOMMENDED PCBLAYOUT
 TOP VIEW
 SCALE 8:1
 (TOLERANCE=±0.05mm)

RoHS Compliant

TOLERANCES ARE



DRAWING BY CY		X ± 0.50
CHECKED BY GENIUS		.X ± 0.25
UNIT / mm	SCALE 1 : 1	.XX ± 0.15
DATE		.XXX ± 0.10
		ANG ± 2°

照片框

ORDER INFORMATION

WPUB-SWMP112073MMX-24C-LF				
SERIES				LEADFREE
				24 WAY C TYPE
				NON SPRING
				METAL FOOT
				METAL FOOT 11.20mm+POST 7.35mm
				90°SMT

煜倫股份有限公司

www.morethanall.com

SIZE A4 PPROJECTION

DESCRIPTION: USB TYPE C REC CONN. DUAL SMT TYPE