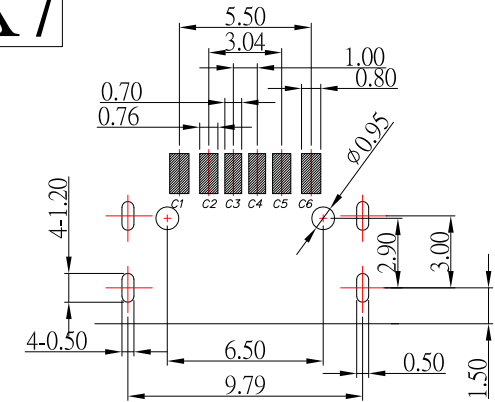
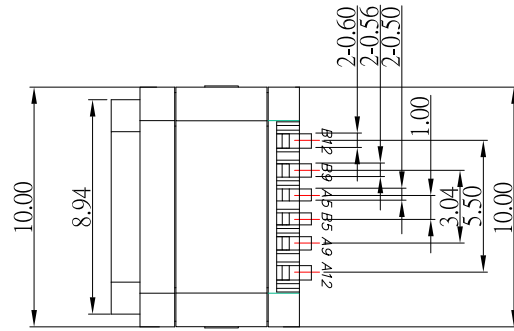
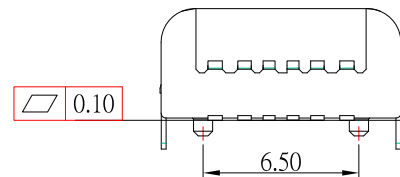
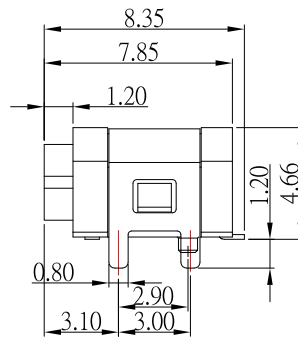
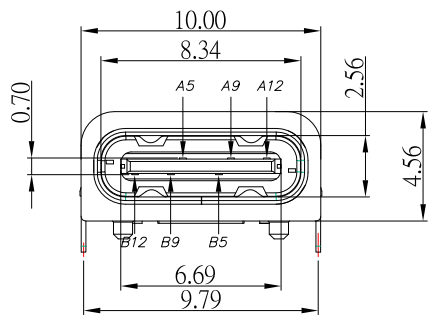


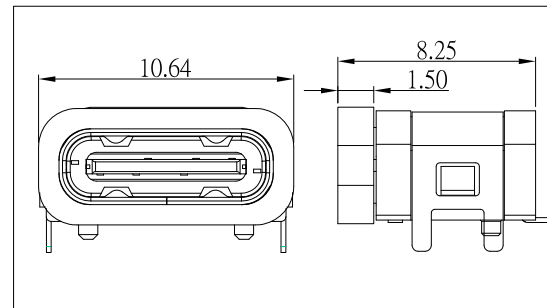
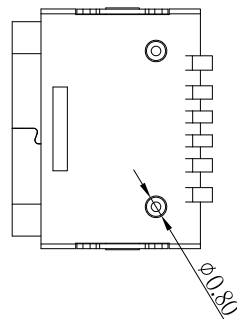
IPX7



P.C.B LAYOUT MOUNTING PATTERN



PIN NO	A1&B12	A4&B9	A5	A9	A12
SIGNAL NAME	GND	VBUS	CC1	CC2	GND
PCB PAD NO.	C1	C2	C3	C4	C6



SPECIFICATIONS

Electrical:

1. Rating: 3.0A
2. Contact Resistance: 40 mΩ Max
3. Insulation Resistance: 100 MΩ Min
4. Dielectric Withstanding Voltage: 100V AC

Mechanical:

1. Connector Mate and Unmate Force
 - 1.1 Mate force: 5~20 N
 - 1.2 Unmate force: 8~20 N

Material:

1. Housing: LCP
2. Contact: Copper Alloy
3. Shell: SUS

Finish:

1. Contact: Plated Gold in Mating Area ;
Tin Plated on Solder Balls ;
Nickel under plated overall
2. Shell: Nickel under Plated surface layer

RoHS Compliant

TOLERANCES ARE

MORETHANALL
PCB CONNECTORS
Cable ASSEMBLIES

煜倫股份有限公司

www.morethanall.com

DRAWING BY CY

CHECKED BY GENIUS

UNIT / mm

SCALE 1 : 1

DATE

SIZE A4

PJECTION

Up to 5 ±0.2
Above 5 ~ 15 ±0.3
Above 15 ~ 30 ±0.4
Above 30 ~ 50 ±0.5
Angle ±0.3°

照片框

ORDER INFORMATION

WPUB-SWMM9797PR-24C06-LF

SERIES

LEADFREE

REEL

POST

METAL FOOT

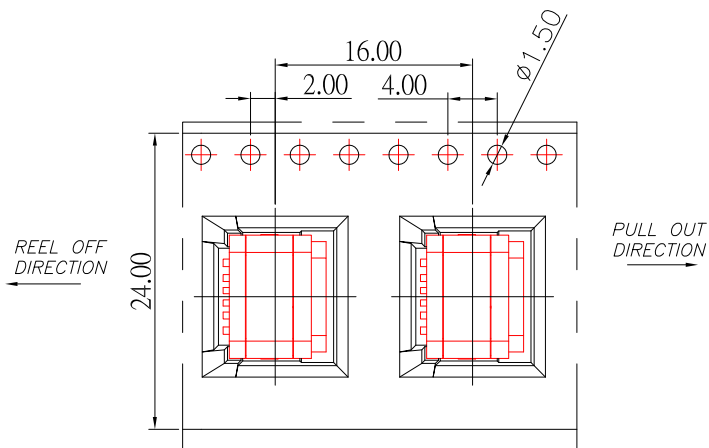
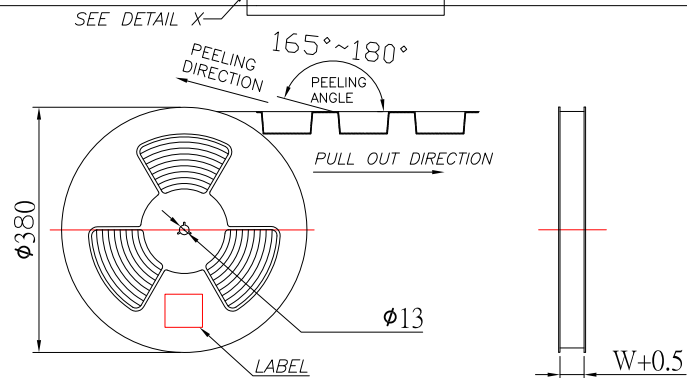
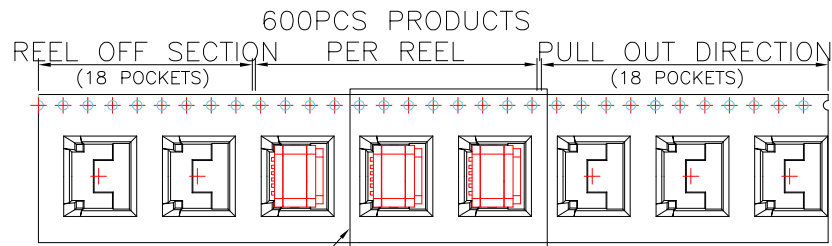
9.79+9.79mm

90°SMT

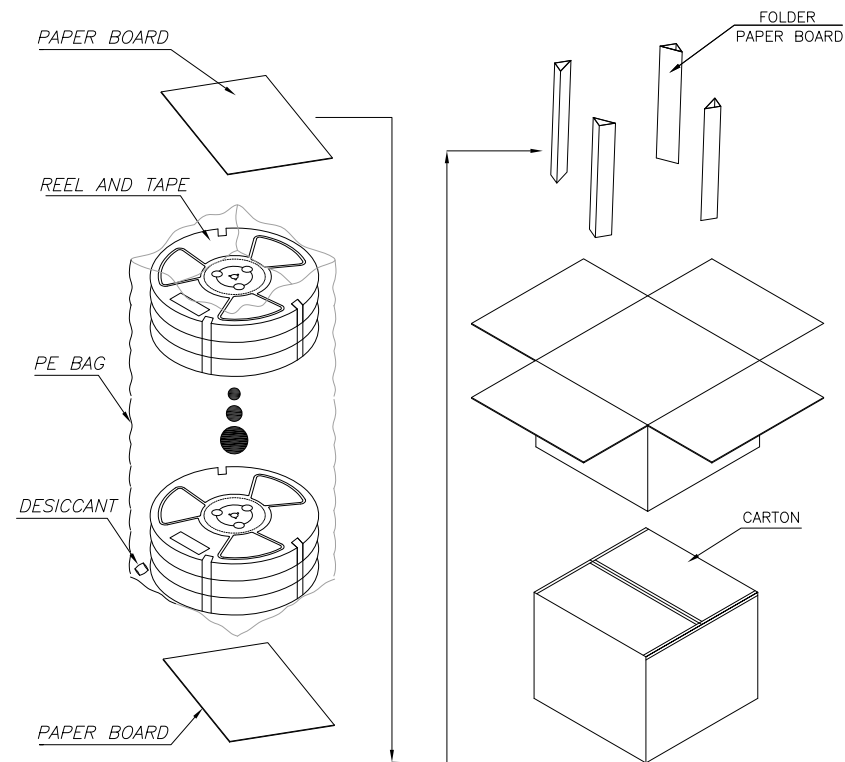
FEMALE

24P C TYPE 06WAY

DESCRIPTION: USB C TYPE 2.0 Female 防水型



DETAIL X



REEL/TRAY	CARTON
600	6000

RoHS Compliant

TOLERANCES ARE

MORETHANALL
PCB CONNECTORS
Cable ASSEMBLIES

DRAWING BY CY

CHECKED BY GENIUS

UNIT / mm

SCALE 1 : 1

DATE

SIZE A4

PJECTION

Up to 5 ±0.2
Above 5 ~ 15 ±0.3
Above 15 ~ 30 ±0.4
Above 30 ~ 50 ±0.5
Angle ±0.3°

照片框

ORDER INFORMATION

WPUB-SWMM9797PR-24C06-LF

SERIES | FEMALE | REEL POST | METAL FOOT 9.79+9.79mm | LEADFREE 24P C TYPE 06WAY | 90°SMT

煜倫股份有限公司

www.morethanall.com

DESCRIPTION: USB C TYPE 2.0 Female 防水型