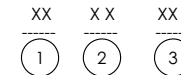


DATE CODE :

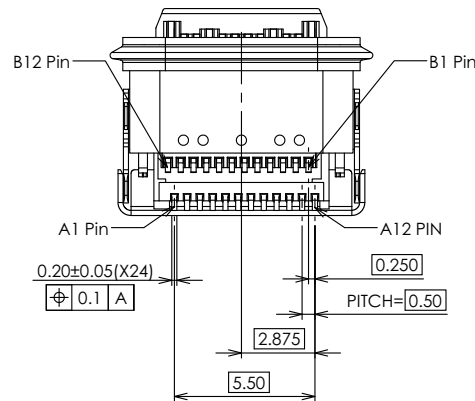
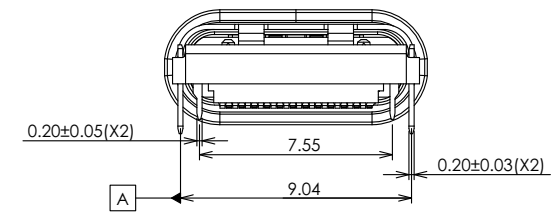
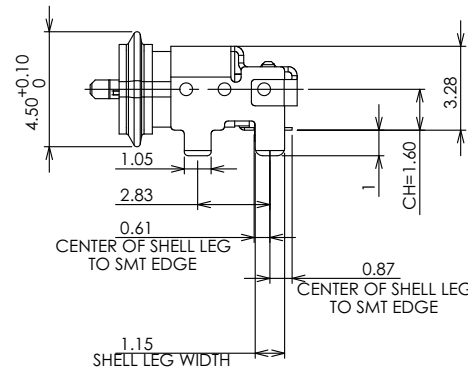
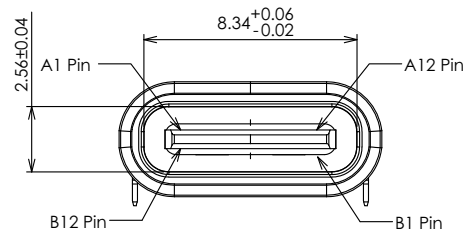


1. year(2016-->16 2017-->17 201X-->1X)

2. month(01~12)

3. day(01~31)

word pitch =0.2mm / word high=1.0mm



6	EMI	2	H-NBP23-E0X00	METAL / NI PLATED
5	OUTER SHELL	1	S-NBP23-20X00	METAL / NI PLATED
4	SHELL	1	S-NBP23-10X00	METAL / ULTRASONIC CLEANING
3	GROUND PLATE	1	H-NBR23-G0X00	METAL / NI PLATED
2	CONTACT	24	T-NBR23-X0000	COPPER ALLOY / AU PLATED
1	HOUSING	1	NBR23-MKXXXX	HI-TEMP. G.F. UL94V-0
ITEM	NAME	QTY	PART#	MATERIAL / FINISH

PIN NO.	A1	A2	A3	A4	A5	A6	A7	A8	A9	A10	A11	A12
SIGNAL NAME	GND	SSTXp1	SSTXn1	VBUS	CC1	Dp1	Dn1	SBU1	VBUS	SSRXn2	SSRXp2	GND
PIN NO.	B12	B11	B10	B9	B8	B7	B6	B5	B4	B3	B2	B1
SIGNAL NAME	GND	SSRXp1	SSRXn1	VBUS	SBU2	Dn1	Dp1	CC2	VBUS	SSTXn2	SSTXp2	GND

RoHS Compliant

TOLERANCES ARE

**MORETHANALL**  
PCB CONNECTORS  
Cable ASSEMBLIES

煜倫股份有限公司

www.morethanall.com

DRAWING BY CY

CHECKED BY GENIUS

UNIT / mm SCALE 1 : 1

DATE

SIZE A4

X. ± 0.38

.X ± 0.25

.XX ± 0.13

.XXX ± 0.05

ANG ±

PJECTION

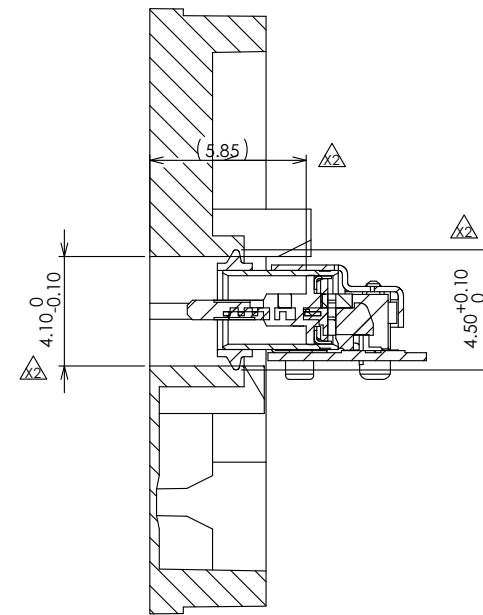
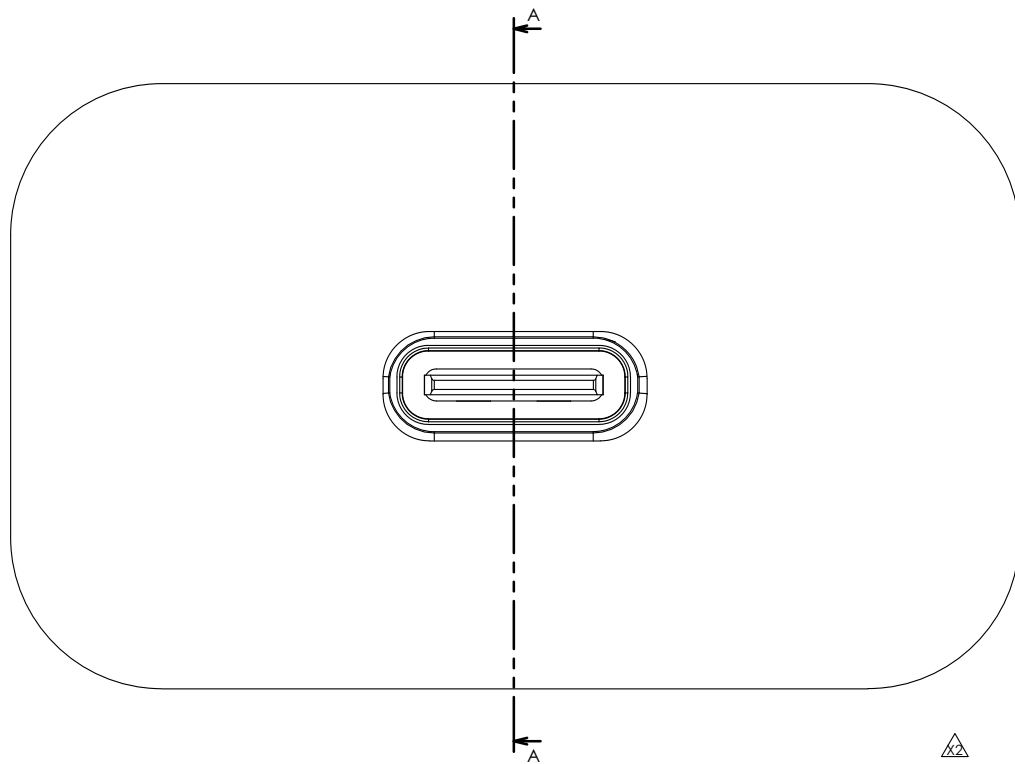
照片框

ORDER INFORMATION

WPUB-SWMM9090MXR-24C-LF

SERIES | LEADFREE  
24 WAY C TYPE  
REEL  
NON SPRING  
METAL FOOT 9.04+9.04mm  
90°SMT

DESCRIPTION: USB TYPE C (GEN 2) CONN. RECEPTACLE - TOP MOUNT WATERPROOF / CH=1.6 / LIM



剖面圖 A-A

COMPRESSION RATIO  
RECOMMENDATION

RoHS Compliant

TOLERANCES ARE

**MORETHANALL**  
PCB CONNECTORS  
Cable ASSEMBLIES

煜倫股份有限公司

www.morethanall.com

DRAWING BY CY

CHECKED BY GENIUS

UNIT / mm

SCALE 1:1

DATE

SIZE A4

X. ± 0.38

.X ± 0.25

.XX ± 0.13

.XXX ± 0.05

ANG ±

PJECTION

照片框

ORDER INFORMATION

WPUB-SWMM9090MXR-24C-LF

SERIES

FEMALE

90°SMT

REEL

NON SPRING

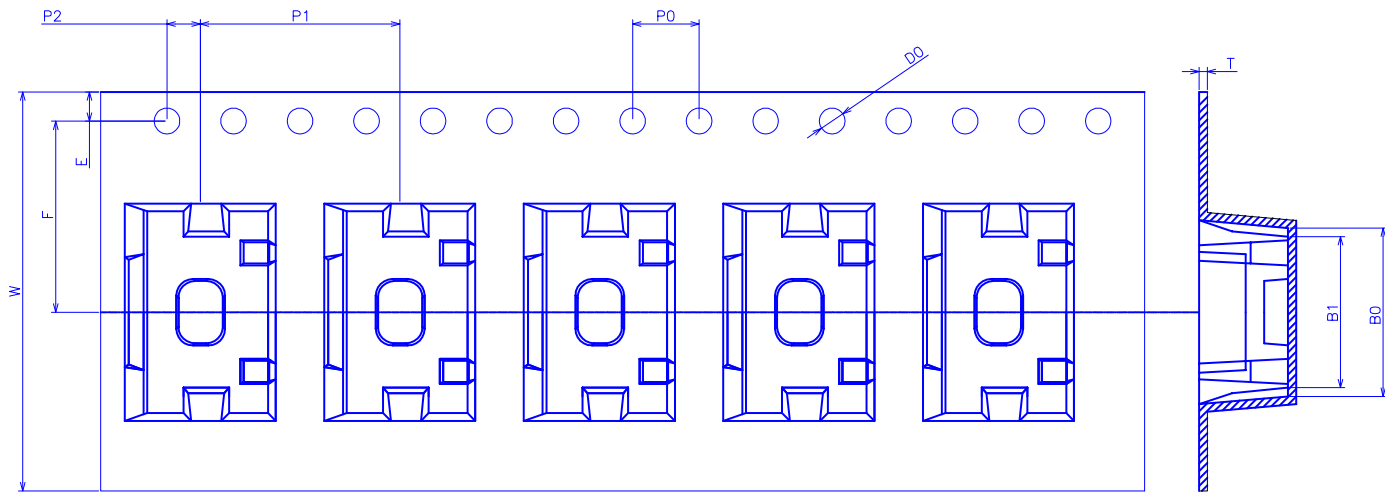
METAL FOOT 9.04+9.04mm

LEADFREE

24 WAY C TYPE

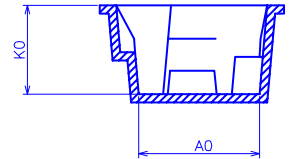
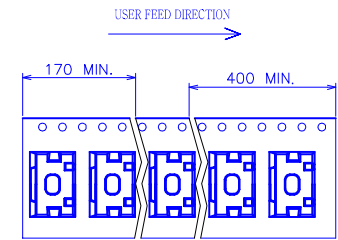
DESCRIPTION: USB TYPE C (GEN 2) CONN. RECEPTACLE - TOP MOUNT WATERPROOF / CH=1.6 / LIM





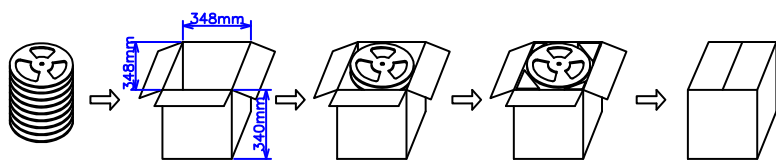
NOTES:

1. USED ON USB TYPE C CONNECTOR PRODUCTS.
2. PACKAGE:1000PCS/REEL, 10REELS/BOX
3. MATERIAL: PS CONDUCTIVE POLYSTR ,COLOR: TRANSPARENT
4. APPLICABLE DOCUMENTS:EIA-481-C
5. AFTER UNREELING DIRECTION MUST HAVE 15 PCS BLANK.(170mm Min)
6. BEFORE UNREELING DIRECTION MUST HAVE 34 PCS BLANK.(400mm Min)



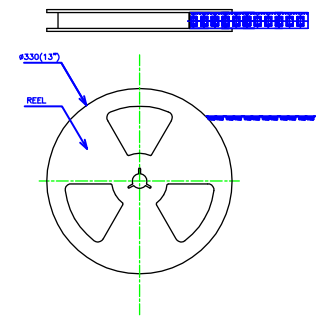
SECTION:B-B

SECTION:A-A



PACKAGING PROCESS

D1	0	W	24.00±0.30
D0	1.50 +0.10 -0.00	E	1.75±0.10
A0	7.26±0.10	F	11.50±0.10
B0	10.13±0.10	P0	4.00±0.10
B1	9.08±0.10	P1	16.00±0.10
K0	5.35±0.10	P2	2.00±0.10
		T	0.40±0.05



RoHS Compliant

TOLERANCES ARE

照片框

ORDER INFORMATION

**MORETHANALL**  
PCB CONNECTORS  
Cable ASSEMBLIES

煜倫股份有限公司

www.morethanall.com

DRAWING BY CY

CHECKED BY GENIUS

UNIT / mm SCALE 1 : 1

DATE

SIZE A4 PPROJECTION

X. ± 0.38  
.X ± 0.25  
.XX ± 0.13  
.XXX ± 0.05  
ANG ±

WPUB-SWMM9090MXR-24C-LF

SERIES FEMALE 90°SMT  
LEADFREE 24 WAY C TYPE  
REEL NON SPRING  
METAL FOOT 9.04+9.04mm

DESCRIPTION: USB TYPE C RECPTACLE TAPE&REEL PACKAGE