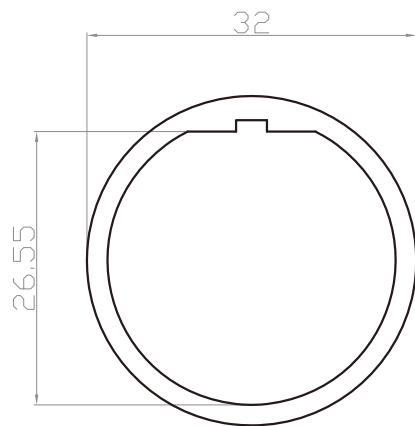


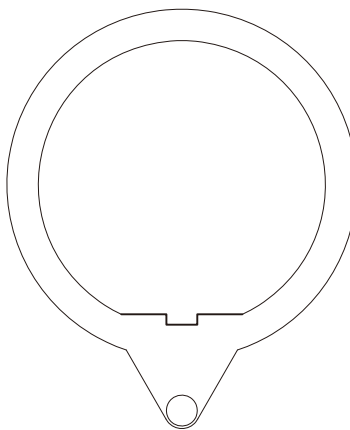
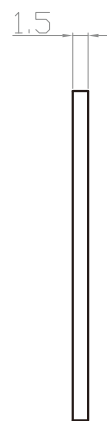
PANEL CUT-OUT

MATERIAL :

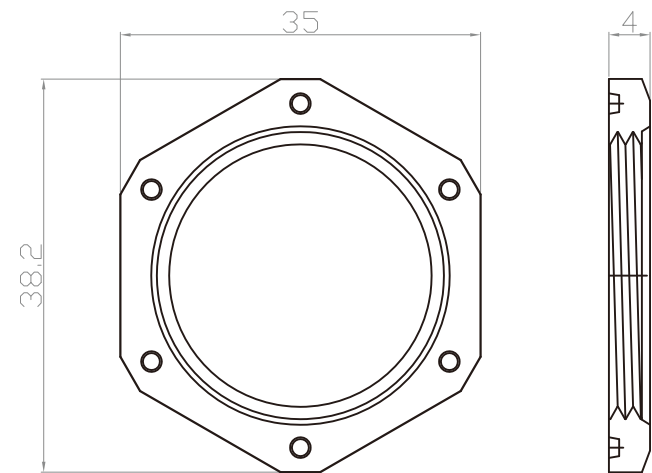
1. USB CONN
  - 1-1. HOUSING : PBT UL94V-0 ; COLOR : BLACK
  - 1-2. CONTACT : PHOSPHOR BRONZE
  - 1-3. SHELL : BRASS
  - 1-4. Pin header : BRASS
2. PARTS
  - 2-1. EXTERNAL HOUSING : PBT UL94V-0 ; COLOR : BLACK
  - 2-2. NUT : PBT UL94V-0 ; COLOR : BLACK
  - 2-3. WASHER : PBT UL94V-0 ; COLOR : BLACK
  - 2-4. O-RING : SILICON
3. PLATING
  - 3-1. CONTACT : GOLD PLATING ON CONTACT AREA  
BRIGHT TIN ON SOLDER AREA
  - 3-2. SHELL : NICKEL PLATING ON OVER ALL
  - 3-3. Pin header : GOLD PLATING.
4. ELECTRICAL SPECIFICATION:
  - 4-1. RATED CURRENT : 1A
  - 4-2. RATED VOLTAGE : 30V
  - 4-3. WATER PROOF: IP67
5. ENVIRONMENTAL:
  - 5-1. OPERATION TEMPERATURE : -20℃~85℃



O-RING

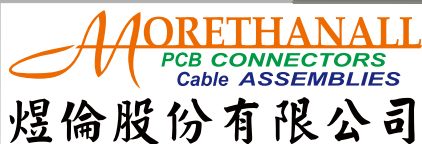


WASHER



NUT

RoHS Compliant



www.morethanall.com

DRAWING BY CY	
CHECKED BY GENIUS	
UNIT / mm	SCALE 1 : 1
DATE	
SIZE A4	PJECTION

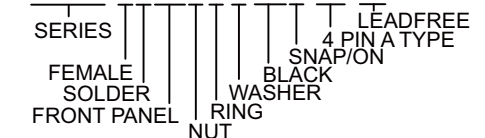
TOLERANCES ARE

X. ±
.X ± 0.20
.XX ± 0.10
.XXX ± 0.05
ANG ± 1°

照片框

ORDER INFORMATION

WPUB-SSPANOWBKN-4A-LF



DESCRIPTION: 防水USB(F)鑲板式(後鎖)