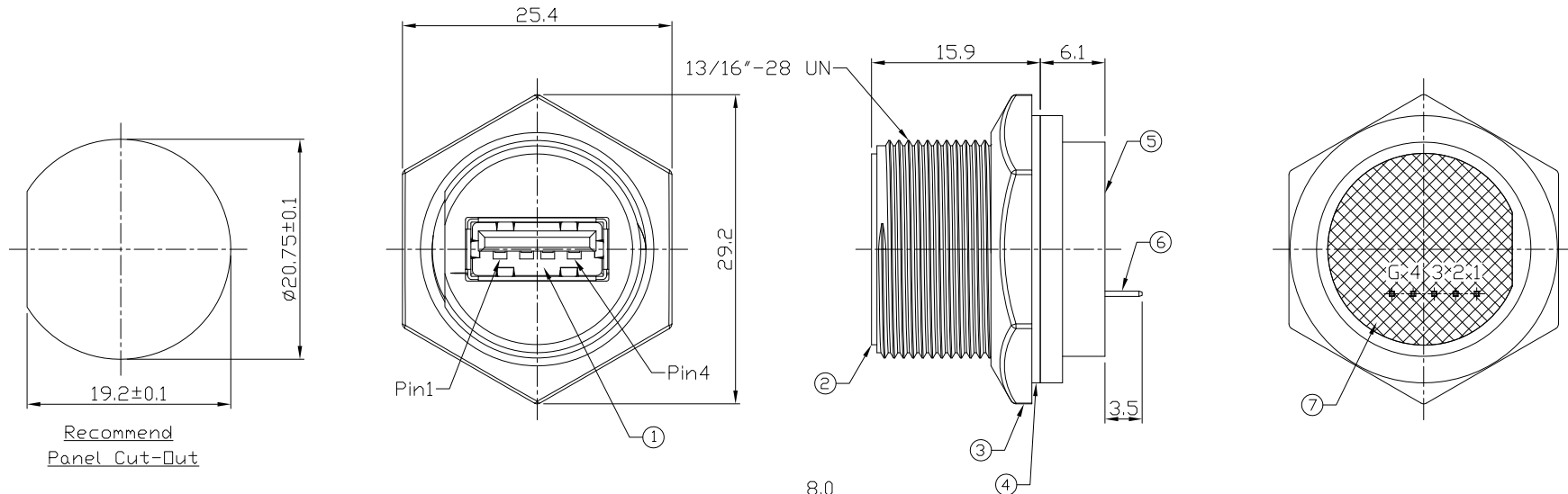
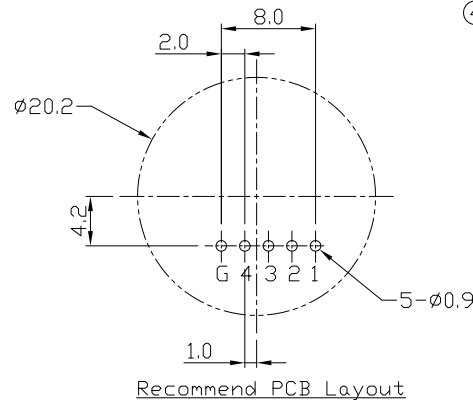


Notes: (Unless Otherwise Specified)

1. Waterproof Rate: IP67.
2. Recommend Panel Thickness: 0.8 to 6.0 mm.
3. Recommend Torque: 6~7 Kgf-cm.



7	Glue	Epoxy Color: Black	
6	Pin Header	Housing: Thermal Plastic, Color: Black	1
		Contacts: Copper Alloy, Finish: Au Plated	
5	PCB	FR-4 Color: Green	1
4	Gasket	Silicone Color: Black	1
3	Hex Nut	Thermal Plastic Color: Black	1
2	Housing	Thermal Plastic Color: Black	1
1	USB-A Receptacle	Housing: Thermal Plastic, Color: Black	1
		Contacts: Copper Alloy, Finish: Au Plated Shell: Copper Alloy, Finish: Ni Plated	
Item	Part Name	Material / Finish	Qty



RoHS Compliant

TOLERANCES ARE

MORETHANALL
PCB CONNECTORS
Cable ASSEMBLIES

煜倫股份有限公司

www.morethanall.com

DRAWING BY CY

CHECKED BY GENIUS

UNIT / mm SCALE 1 : 1

DATE

SIZE A4

X, ±
.X ± 0.50
.XX ± 0.20
.XXX ± 0.05
ANG ± 1°

PPOJECTION

照片框

ORDER INFORMATION

WPUB-SDPBNOBKM-4A-LF

SERIES | | | | | LEADFREE
FEMALE | | | | | 4 PIN A TYPE
DIP 180° | | | | | METRIC SCREW
PANEL BACK | | | | | BLACK
RING | | | | |
NUT

DESCRIPTION: USB-A Plastic C3 Panel Jack Dip Screw