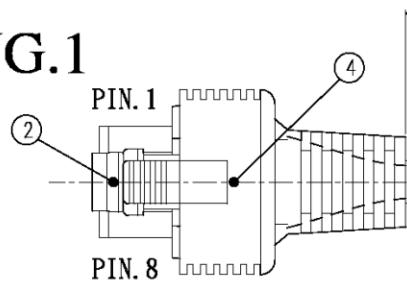
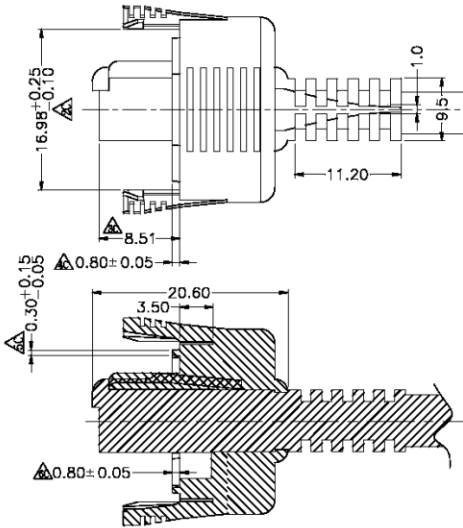
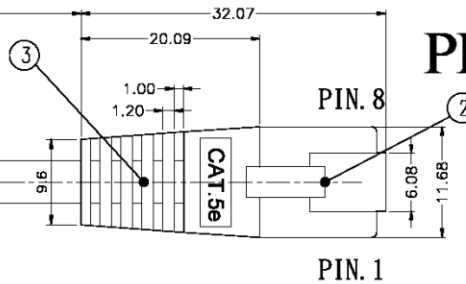


PLUG.1

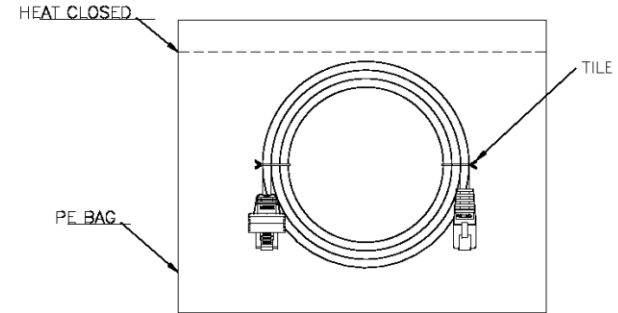


PLUG.2

RoHS COMPLIANT



WIRE	CONNECTION(T568B)	COLOR
PLUG.1	PLUG.2	
PIN.1	PIN.1	WHITE/ORANGE
PIN.2	PIN.2	ORANGE
PIN.3	PIN.3	WHITE/GREEN
PIN.4	PIN.4	BLUE
PIN.5	PIN.5	WHITE/BLUE
PIN.6	PIN.6	GREEN
PIN.7	PIN.7	WHITE/BROWN
PIN.8	PIN.8	BROWN



Note:

1. Cable, CAT. 5e UTP 24AWG(stranded)*4Pair, resistant UV jacket. , color:black-0A
2. Modular: RJ45 plug, short body, single layer, 30u", unshield.
3. Overmold PVC:75P
4. Overmold PC Material Certificate
5. 100% open short test.
6. Insulation resistance:10M ohm(Min)
7. Connection resistance:5ohm(Max).
8. HI-POT:DC300V/3sec.

※ 凡標註記號者,為品管檢驗之尺寸

RoHS Compliant

TOLERANCES ARE

MORETHANALL
PCB CONNECTORS
Cable ASSEMBLIES

DRAWING BY CY

CHECKED BY GENIUS

UNIT / mm SCALE 1 : 1

DATE

SIZE A4

X, ±
.X ±
.XX ±
.XXX ±
ANG ±

PJECTION

照片框

ORDER INFORMATION

WPRJRJ-0808CE-M1M-LF

SERIES

LEADFREE

1000mm

MALE TO MALE

CAT.5E

8P8C

DESCRIPTION:

煜倫股份有限公司

www.morethanall.com