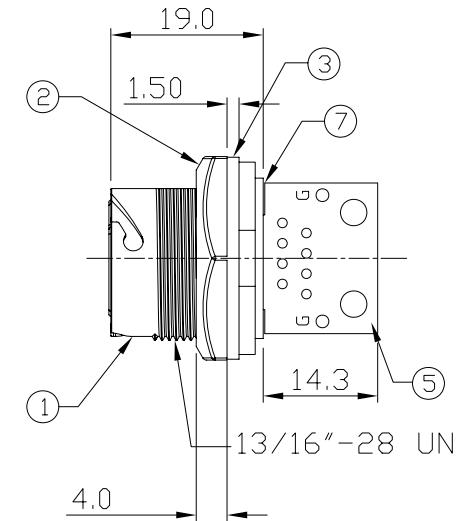
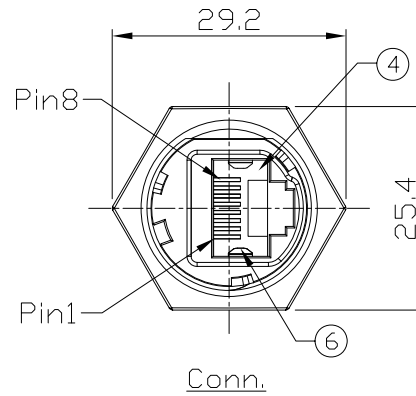


Recommend
Panel Cut-Out



7	Glue	Epoxy Color: Black	
6	EMI Shielded Plate	Copper Alloy Finish: Ni Plated	2
5	PCB	FR-4 Color: Green	1
4	RJ45 Receptacle	Housing: Thermal Plastic, Color: Gray	1
		Contacts: Copper Alloy, Finish: Au Plated	
3	Gasket	Silicone Color: Black	1
2	Hex Nut	Thermal Plastic Color: Black	1
1	Housing	Thermal Plastic Color: Black	1
Item	Part Name	Material / Finish	Q'TY

Notes:

1. Waterproof Rate : IP67.
2. Recommend Panel Thickness : 0.8 to 4.0 mm.
3. Recommend Torque: 6~7 Kgf-cm.
4. RoHS Compliance.

RoHS Compliant

TOLERANCES ARE

MORETHANALL
PCB CONNECTORS
Cable ASSEMBLIES
煜倫股份有限公司

DRAWING BY CY

CHECKED BY GENIUS

UNIT / mm SCALE 1 : 1

DATE

SIZE A4

X, ±
.X ± 0.50
.XX ± 0.20
.XXX ± 0.05
ANG ±

PJECTION

照片框

ORDER INFORMATION

WPRJ-JSPBNWBKN-0808-LF

SERIES JACK SOLDER PANEL 8P8C LEADFREE SNAP/ON BLACK NUT+WASHER BACK

DESCRIPTION: RJ45 Plastic C3 Shielded Panel Jack Lock

www.morethanall.com