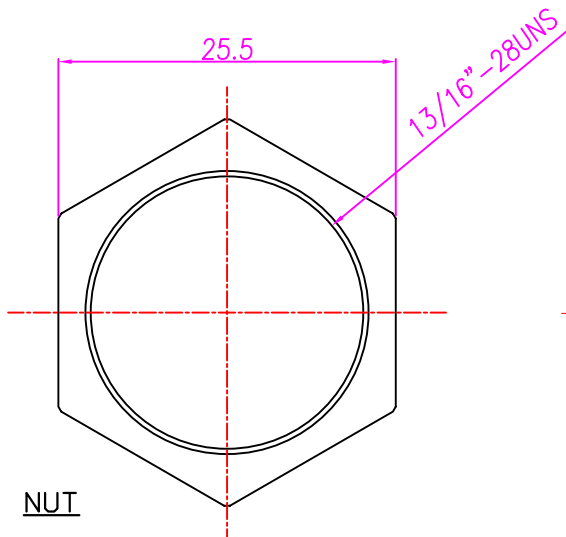
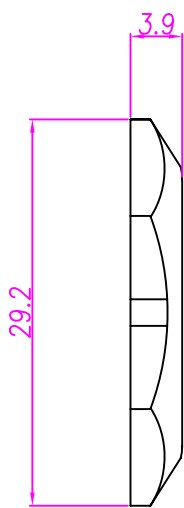
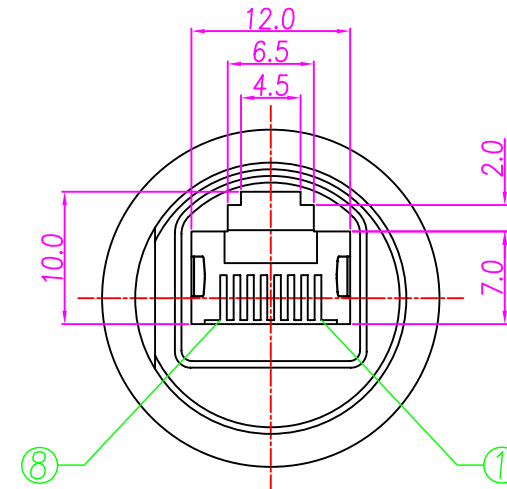
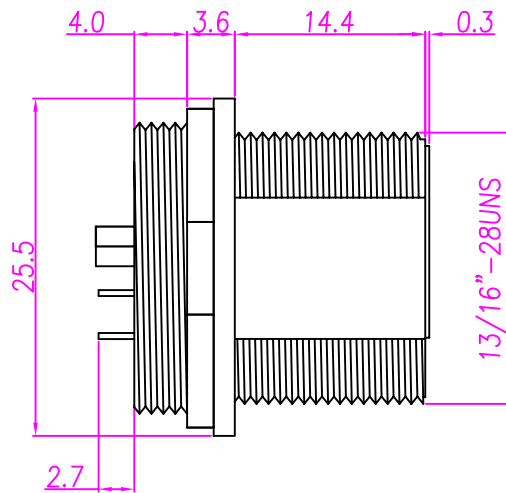
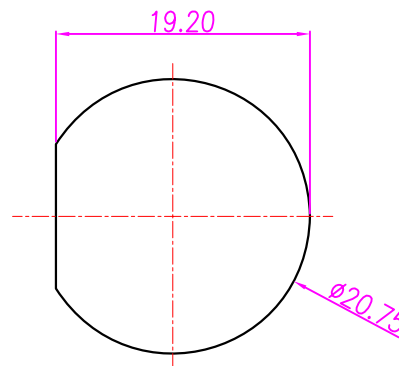


P.C.B LAYOUT (Top view)



NUT



Panel Cut-Out

1. MATERIAL :
 - 1-1. HOUSING : PBT UL94V-0 ; COLOR : BLACK.
 - 1-2. CONTACT : PHOSPHOR BRONZE
 - 1-3. SHELL : Zn ALLOY
 - 1-4. GROUND : SUS 301
 - 1-5. O-RING : EPDM ; COLOR : BLACK.
 - 1-6. NUT : BRASS
 - 1-7. EPOXY BASE : EF400A&EF400B. COLOR : BLACK.
2. FINISH :
 - 2-1. CONTACT : GOLD FLASH MICRO INCHES MIN.
 - 2-2. NUT : NICKEL PLTAEED.
 - 2-3. SHELL : NICKEL PLTAEED.
3. ELECTRICAL SPECIFICATION :
 - 3-1. Rated current : 2A
 - 3-2. Rated Voltage : 250V
 - 3-3. Water proof : IPX7
4. Environmental :
 - 4-1. Operation Temperature : -40°C~85°C

RoHS Compliant

TOLERANCES ARE

MORETHANALL
PCB CONNECTORS
Cable ASSEMBLIES

煜倫股份有限公司

www.morethanall.com

DRAWING BY CY

CHECKED BY GENIUS

UNIT / mm

SCALE 1 : 1

DATE

SIZE A4

X, ±
.X ± 0.20
.XX ± 0.10
.XXX ± 0.05
ANG ± 1°

P PROJECTION

照片框

ORDER INFORMATION

WPRJ-JDPBNOFMM-0808-LF

SERIES | JACK | DIP 180° | PANEL | RING | NUT | BACK | 8P8C | METRIC SCREW | FULL METAL | LEADFREE

DESCRIPTION: 防水 RJ45 8PIN