

NOTES:

1. MATERIAL:
 - 1.1 HOUSING: ENGINEERING THERMOPLASTIC, UL94V-0, COLOR:BLACK.
 - 1.2 SEAL: SILICON, COLOR:RED.
 - 1.3 GASKET: SILICON, COLOR:RED.
2. APPLICABLE ETHERNET CABLE DIAMETER RANGE $\phi 7 \sim \phi 5.5$
3. \triangle MARK FOR QUALITY CONTROL DEPARTMENT EXAMINE.

RoHS Compliant

TOLERANCES ARE

MORETHANALL
PCB CONNECTORS
Cable ASSEMBLIES

煜倫股份有限公司

www.morethanall.com

DRAWING BY CY

CHECKED BY GENIUS

UNIT / mm SCALE 1 : 1

DATE

SIZE A4

X. ± 0.38

.X ± 0.25

.XX ± 0.10

.XXX ± 0.05

ANG $\pm 3^\circ$

PJECTION

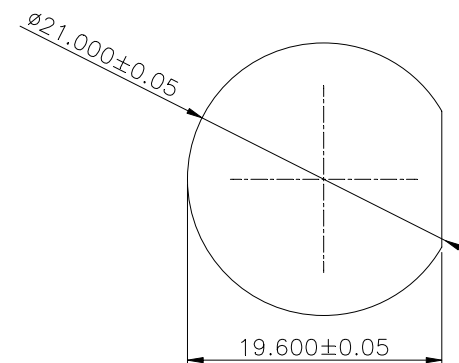
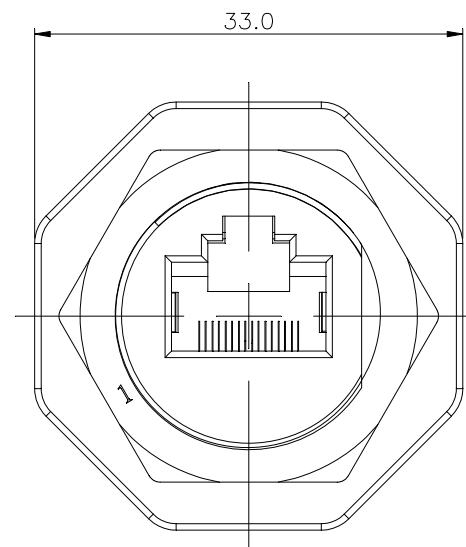
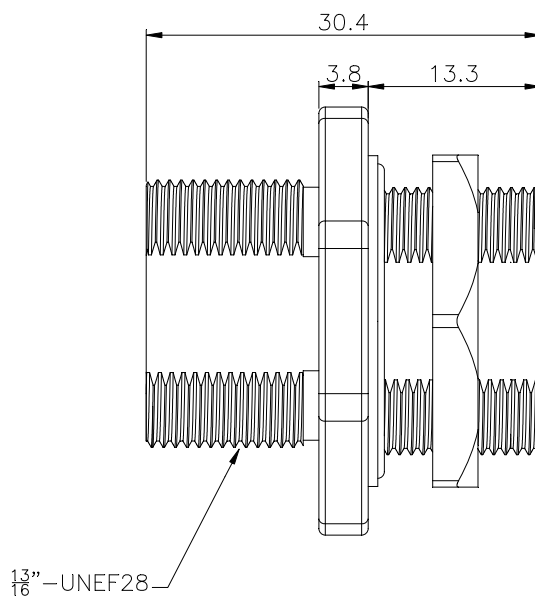
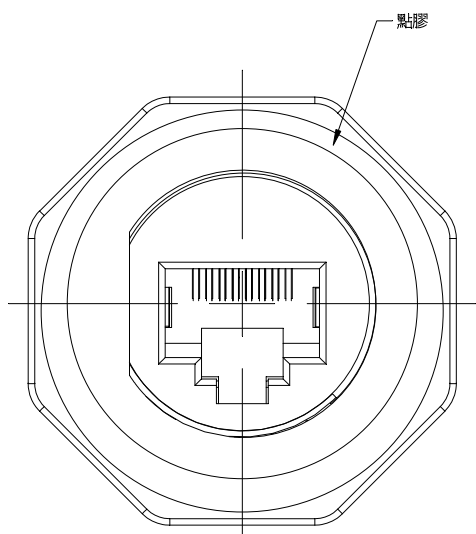
照片框

ORDER INFORMATION

WPRJ-JABKM-0808-LF

SERIES | LEADFREE
8P8C
METRIC SCREW
BLACK
ASSEMBLY
JACK

DESCRIPTION:



Panel Cut-Out
Panel Thick: 1.5~2.0mm

Electrical Specifications:

Meets EIA/TIA-568-B.2 Cat.5e Specification
 Contact Resistance: 20 mOhm max
 Insulation Resistance: 500 MOhm min @100V DC
 Current Rating: 1.5A max
 Voltage Rating: 100VDC
 DWV: 1000V DC/60s min Contact to Contact, 1500V DC/60s Contact to Metal Shell
 Operating Temperature: -40°C TO +85°C

MATERIALS:

PLASTIC HOUSING: ENGINEERING THERMOPLASTIC
 FLAMMBILITY RATING UL 94V-0.
 CONTACTS: PHOSPHOR BRONZE
 PLATING: GOLD PLATING OVER NICKEL IN CONTACT.
 GROUND PADER: BRASS PLATING NICKEL ALLOY.
 Nut: ENGINEERING THERMOPLASTIC FLAMMBILITY RATING UL 94V-0.
 Gasket: Silicon

※ 凡標註 記號者, 為品管檢驗之尺寸

RoHS Compliant

TOLERANCES ARE

MORETHANALL
 PCB CONNECTORS
 Cable ASSEMBLIES

煜倫股份有限公司

www.morethanall.com

DRAWING BY CY

CHECKED BY GENIUS

UNIT / mm SCALE 1 : 1

DATE

SIZE A4

X. ± 0.50

.X ± 0.38

.XX ± 0.25

.XXX ± 0.10

ANG ± 3°

PJECTION

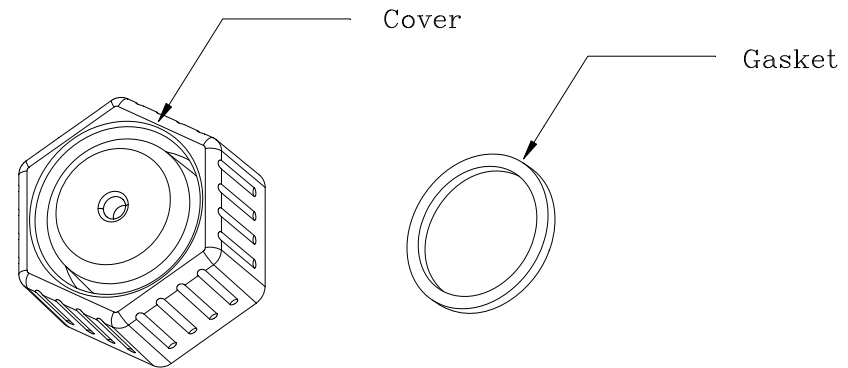
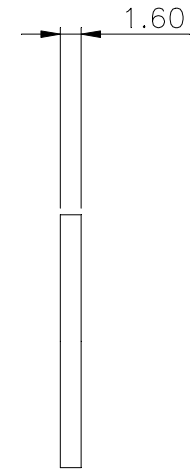
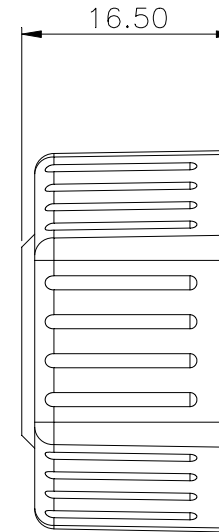
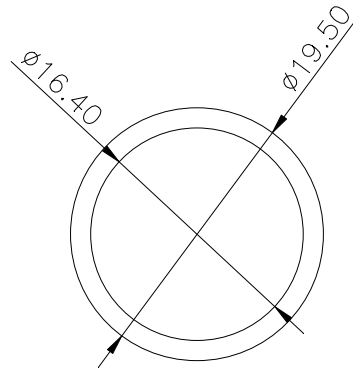
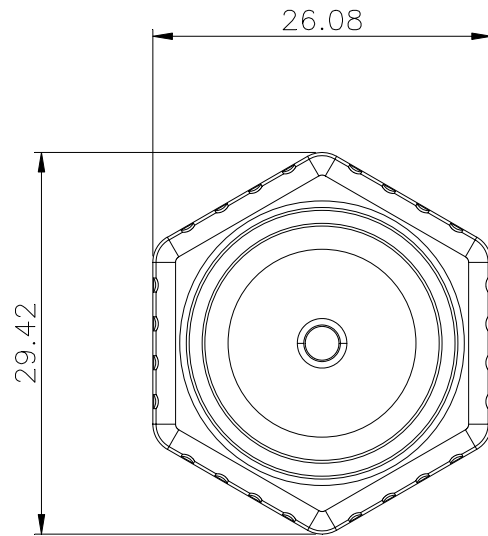
照片框

ORDER INFORMATION

WPRJ-JABK-0808M-LF

SERIES | LEADFREE METRIC SCREW
 | 8P8C
 | BLACK ASSEMBLY JACK

DESCRIPTION: 3352防水接頭(中繼盒端接頭)



MATERIAL:

COVER: ENGINEERING THERMOPLASTICUL 94V-0. COLOR:BLACK.

GASKET: SILICON

Waterproof Rate : IP68

RoHS Compliant

TOLERANCES ARE

MORETHANALL
PCB CONNECTORS
Cable ASSEMBLIES

DRAWING BY CY

X. ± 0.38

CHECKED BY GENIUS

.X ± 0.25

UNIT / mm

SCALE 1 : 1

.XX ± 0.10

DATE

.XXX ± 0.05

ANG $\pm 3^\circ$

照片框

ORDER INFORMATION

WPRJ-JABK-0808M-LF

SERIES

LEADFREE

8P8C

BLACK

ASSEMBLY

JACK

METRIC SCREW

煜倫股份有限公司

www.morethanall.com

SIZE A4

P PROJECTION

DESCRIPTION: