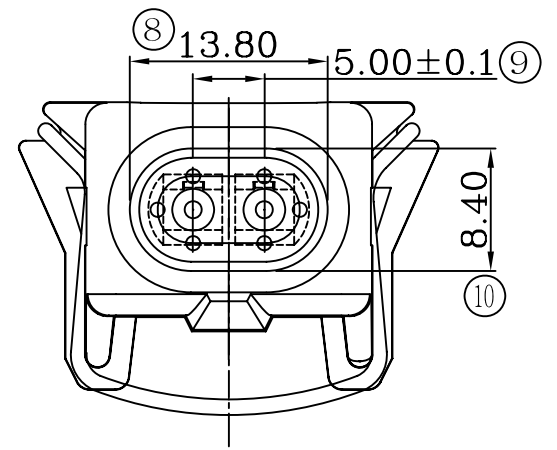
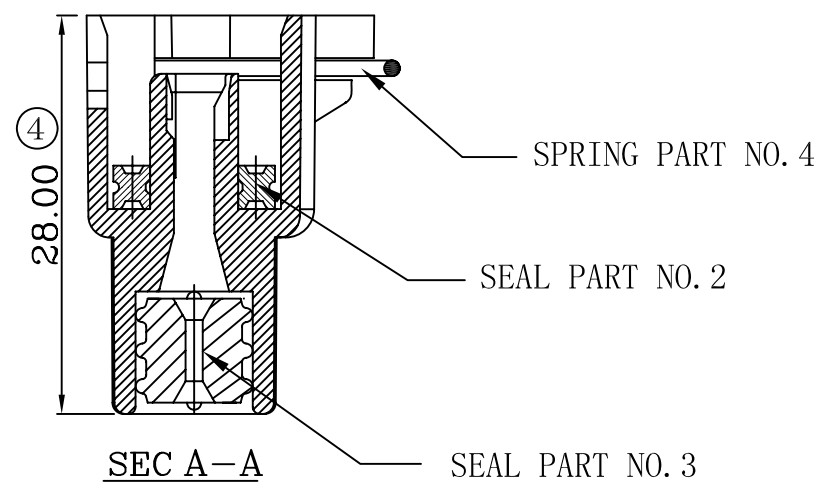


MASTER PART NO. 1



NOTE:  
1.ALL THE DIMENSIONS ARE MEASURED UNDER GRADE "B" UNLESS OTHERWISE SPECIFIED.



WPQ110-SH-1X02-LF  
LEADFREE  
RoHS Compliant

SPRING	4	---	不鏽鋼	---	---	---
SEAL	3	---	橡膠	RED	---	---
SEAL	2	---	橡膠	BLUE	---	---
MASTER	1	---	PA66+GF	BLACK	---	835607
F. P.		1+2+3+4	PA66+GF	BLACK	---	
類別 Type	NO.	構成零件 Composed parts	材質 Material	顏色 Color	對手件 Counter P/No.	配合端子 Applicable Ter.

**MORETHANALL**  
CONNECTORS  
ASSEMBLIES

焜倫股份有限公司

PART NO. WPQ110-SH-1X02		CHECKED BY CY		TOLERANCES ARE .X ± .XX ± .XXX ± AWG	DESCRIP TION: 110 TYPE FEMALE HOUSING			
DWG NO. WPQ110-SH-1X02		DRAWING BY			AREA	REVISIONS	HK	DATE
FILE NO.		PROJECTION						
UNIT / mm	SCALE 1:1							