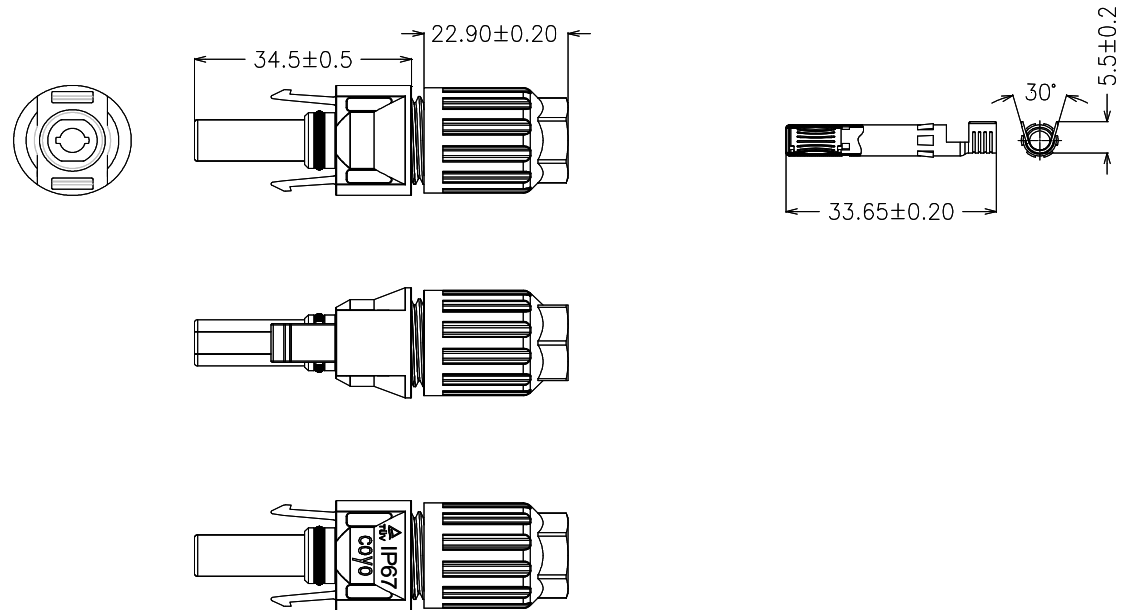


Product Specifications	
Type Name or Model No.	WPPV-SA-10
Rated Voltage	TUV 1000V DC
Connector Rating Current	25A
Suitable cable cross sections	4.0~6.0mm ²
Pin dimensions	4.0mm
Dielectric voltage withstand	6000V AC
Pollution degree	2
Over voltage category	III
Protection class	Class II
RTI housing material	105 (of enclosure material)
Contact Material	Copper ,Tin Plated
Contact Resistance	≤ 5mΩ
Connector Material	PPO
Degree of Protection	IP67(IEC 60529)
Withdrawal Force(Connector)	≥ 50N
Insertion Force(Connector)	≤ 50N
Temperature Range	-40°C~+85°C
Flame Class	UL94V-0



RoHS Compliant

TOLERANCES ARE

MORETHANALL
PCB CONNECTORS
Cable ASSEMBLIES

煜倫股份有限公司

www.morethanall.com

DRAWING BY CY

CHECKED BY GENIUS

UNIT / mm

SCALE 1 : 1

DATE

SIZE A4

X. ±
.X ±
.XX ±
.XXX ±
ANG ±

PJECTION

照片框

ORDER INFORMATION

WPPV-SA-10-LF
SERIES T T LEADFREE
10 AWG
ASSEMBLY
FEMALE

DESCRIPTION: