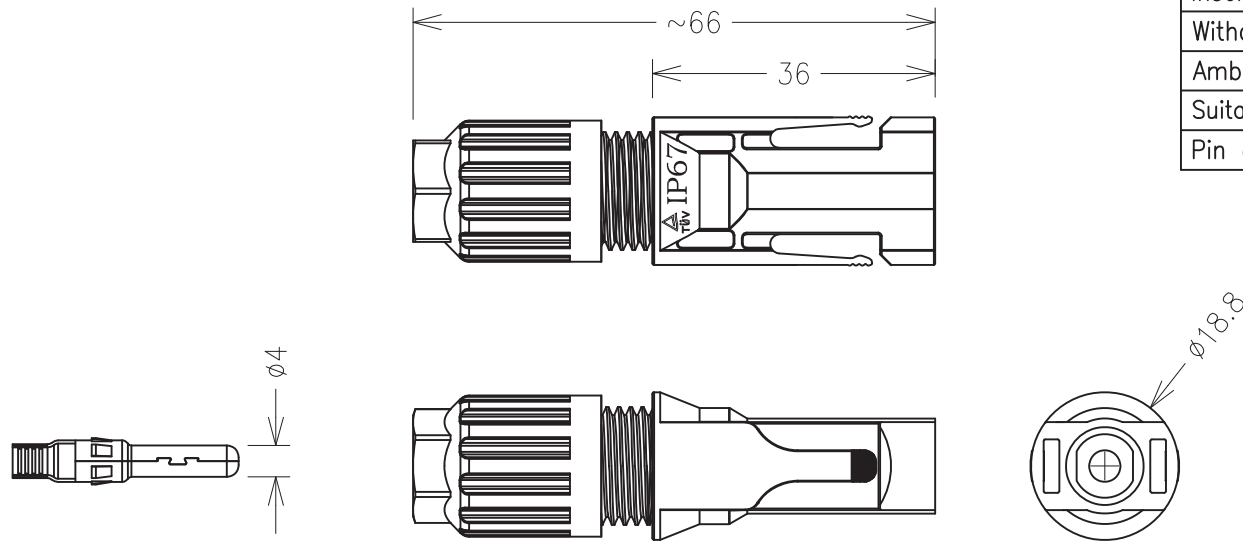


Insulation material	PP0
Rated current	20A(2-4mm ²) 30A(6mm ²)
Rated voltage	1000V(TUV) 600V(UL)
Test voltage	6kV(50Hz,1min)
Typical contact resistance	0.5mΩ
Contact material	Copper,tin plated
Degree of protection	IP2X/IP67
Safety class	II
Flame class	UL94-V0
Insertion force	≤50N
Withdrawal force	≥50N
Ambient temperature range	-40°C...+90°C(IEC/CEI)
Suitable cable cross sections	1.5-6.0mm ² AWG 16/14/12/10
Pin dimensions	ø4.0mm



RoHS Compliant

TOLERANCES ARE

MORETHANALL
PCB CONNECTORS
Cable ASSEMBLIES

DRAWING BY CY

X.±

CHECKED BY GENIUS

.X±

UNIT / mm

SCALE 1 : 1

.XX±

DATE

.XXX±

ANG±

SIZE A4

PPOJECTION

照片框

ORDER INFORMATION

WPPV-PA-xx-LF

SERIES

LEADFREE

10:10 AWG 6mm²

12:12 AWG 4mm²

ASSEMBLY

MALE

煜倫股份有限公司

www.morethanall.com

DESCRIPTION: PV- ø4 Male Connector