

1 2 3 4 5 6 7 8 9 0

J

I

H

G

F

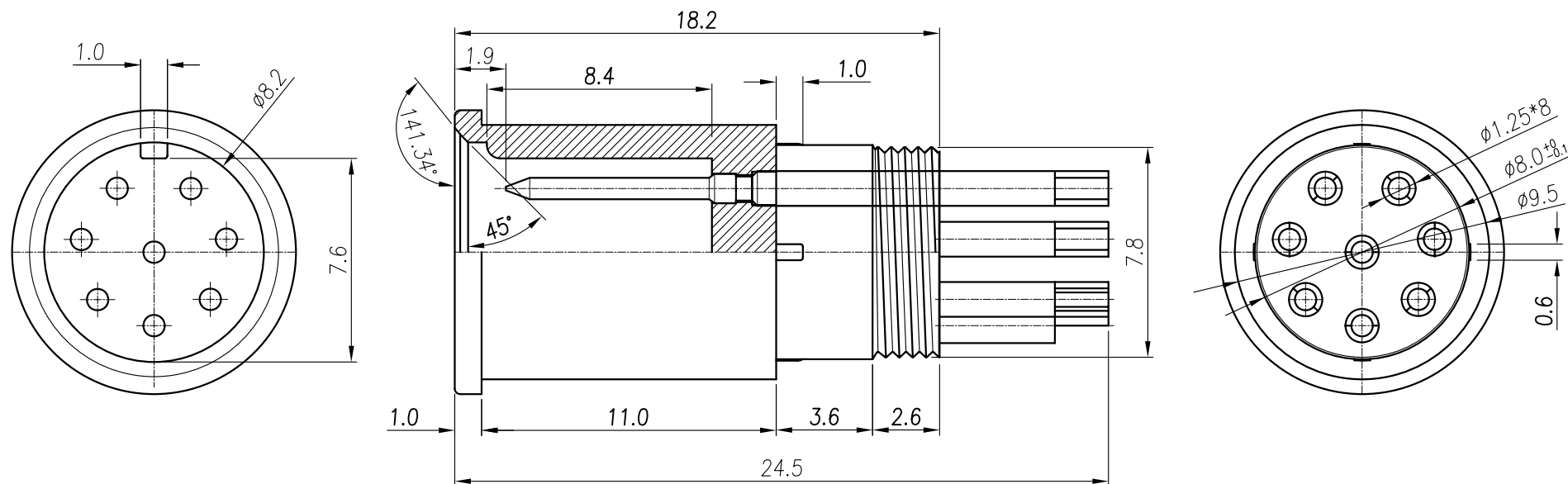
E

D

C

B

A



備註/NOTE:

1.材質/MATERIAL:

1-1 膠芯/HOUSING: PBT

1-2 端子/PIN: BRASS/黃銅

2.電鍍/PLATING:

2-1 端子/PIN: 金10u"/GOLD 10u"

WPP08-PS-08-LF

LEADFREE

RoHS Compliant

**MORETHANALL**  
CONNECTORS  
ASSEMBLIES

PART NO. WPP08-PS-08

DWG NO. WPP08-PS-08

FILE NO.

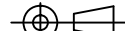
UNIT / mm

SCALE 1:1

CHECKED BY CY

DRAWING BY

PROJECTION



TOLERANCES ARE

.X ± 0.2

.XX ±

.XXX ±

AWG

DESCRIPTION: WP 8(M) PIN

AREA

REVISIONS

HK

DATE

煜倫股份有限公司