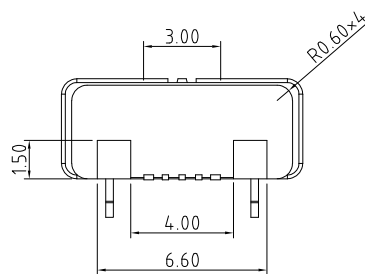
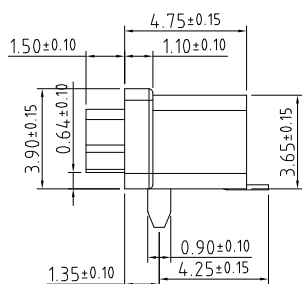
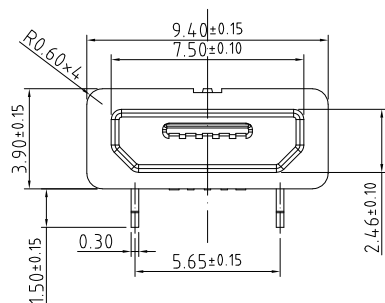


注：设计时，请注意公头插入时的距离，防止公头插不到底。

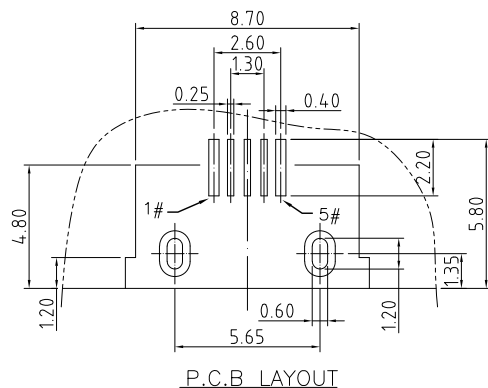
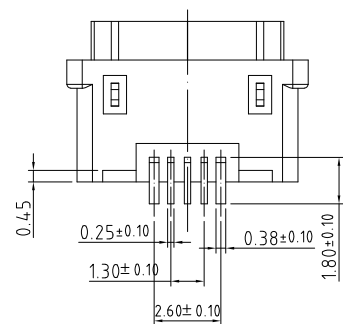
组装示意图

SPECIFICATIONS:

- ELECTRICAL CHARACTERISTICS:
  - RATING: 3A(PIN1&5),0.5A(PIN2&3&4);
  - CONTACT RESISTANCE: 30 mΩ MAX.(INITIAL);
  - DIELECTRIC WITHSTANDING: 500V AC MIN.;
  - INSULATION RESISTANCE: 1000MΩ MIN.;
- DURABILITY: 5,000 CYCLES MIN.;
- INSERTION FORCE: 3.5Kgf (35N) Max.;
- EXTRACTION FORCE: 0.8Kgf (8N) Min.;
- WATER PROOFNESS: THIS PRODUCT IS BASED ON IPX6
- PLUG INTERFACE DIMENSIONS COMFORM TO USB2.0 SPEC.
- PACKAGING: TAPE & REEL.

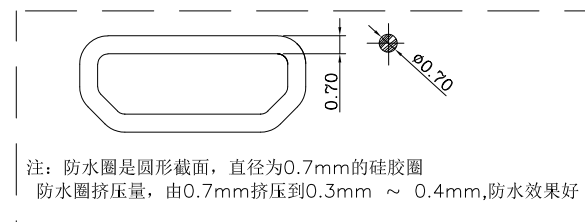


ITEM	PART NAME	Q'TY	FINISH	NOTE
3	Shell	1	SUS304R-1/2H Ni Plating T=0.30mm	
2	Contact	5	BRASS C2680R-H Au/Ni Plating T=0.20mm	
1	Housing	1	PA10T&LCP (G.F30%)	



P.C.B LAYOUT

Contact Number	Signal Name	Remarks
1#	VBUS	Power
2#	D-	Date-
3#	D+	Date+
4#	ID	Reserve or Gound
5#	GND	Gound



注：防水圈是圆形截面，直径为0.7mm的硅胶圈  
防水圈挤压量，由0.7mm挤压到0.3mm ~ 0.4mm,防水效果好

RoHS Compliant

TOLERANCES ARE

**MORETHANALL**  
PCB CONNECTORS  
Cable ASSEMBLIES

DRAWING BY CY

X. ±

CHECKED BY GENIUS

.X ± 0.30

UNIT / mm

SCALE 1 : 1

.XX ± 0.20

DATE

.XXX ± 0.10

ANG ±

SIZE A4

P PROJECTION

照片框

ORDER INFORMATION

WPMIB-SWXM56-5B-LF

SERIES

W

P

M

B

5

B

L

F

LEADFREE

5 PIN B TYPE

METAL FOOT 5.65mm

NON POST

90°SMT

FEMALE

煜倫股份有限公司

www.morethanall.com

DESCRIPTION: MICRO USB B TYPE, PCB MOUNT, SMT TYPE, METAL SHIELD, FEMALE WATERPROOF