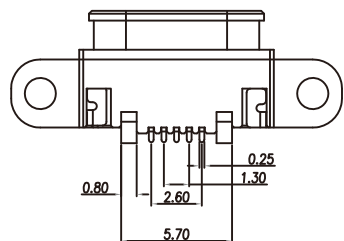
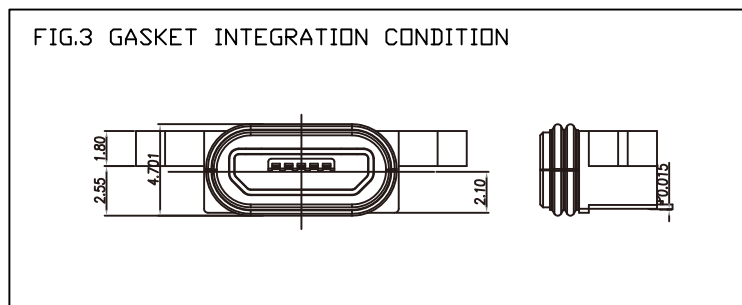
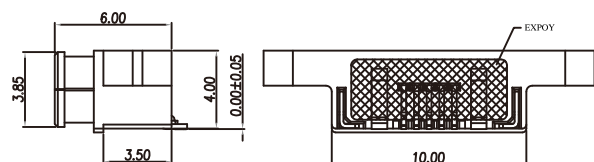
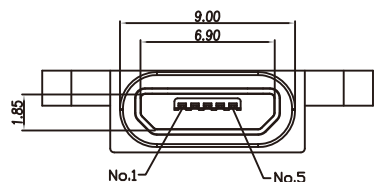
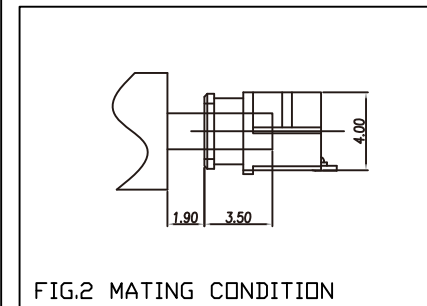
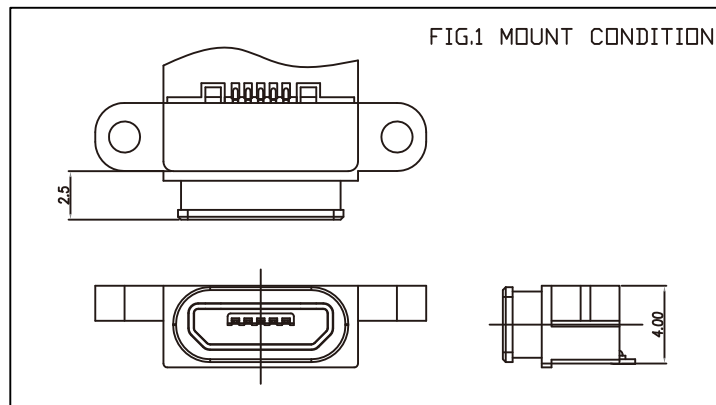
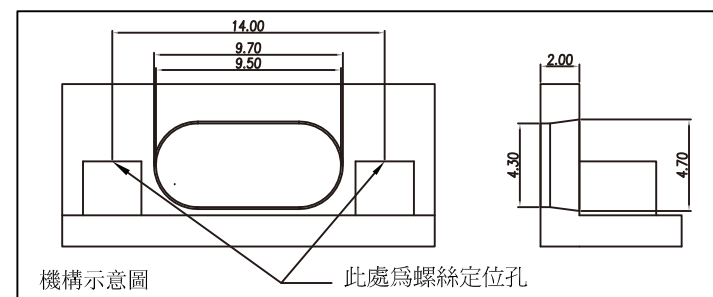


P.C.B LAYOUT



1. MATERIAL :
 - 1-1. HOUSING : LCP UL94V-0 ; COLOR : BLACK
 - 1-2. CONTACT : PHOSPHOR BRONZE
 - 1-3. SHELL : STAINLESS STEEL
 - 1-4. O-RING : SILICON
 - 1-5. PAD : BRASS
2. FINISH :
 - 2-1. CONTACT : CONTACT AREA : GOLD 10 μ "
GOLD FLASH ON OTHER AREA
UNDERPLATED : NICKEL 50 μ "
 - 2-2. SHELL : MATTE TIN PLATED
 - 2-3. PAD : MATTE TIN PLATED



RoHS Compliant

TOLERANCES ARE

MORETHANALL
PCB CONNECTORS
Cable ASSEMBLIES

DRAWING BY CY

CHECKED BY GENIUS

UNIT / mm

SCALE 1 : 1

DATE

SIZE A4

X, \pm
X, \pm 0.20
.XX, \pm 0.10
.XXX, \pm 0.05
ANG, \pm 1°

PPOJECTION



ORDER INFORMATION

WPMIB-SWER-5B-LF

SERIES | | | | | LEADFREE
5 PIN B TYPE
REEL
EAR
90°SMT
FEMALE

DESCRIPTION: waterproof micro usb 5P(F) SMT

煜倫股份有限公司

www.morethanall.com

步驟一:

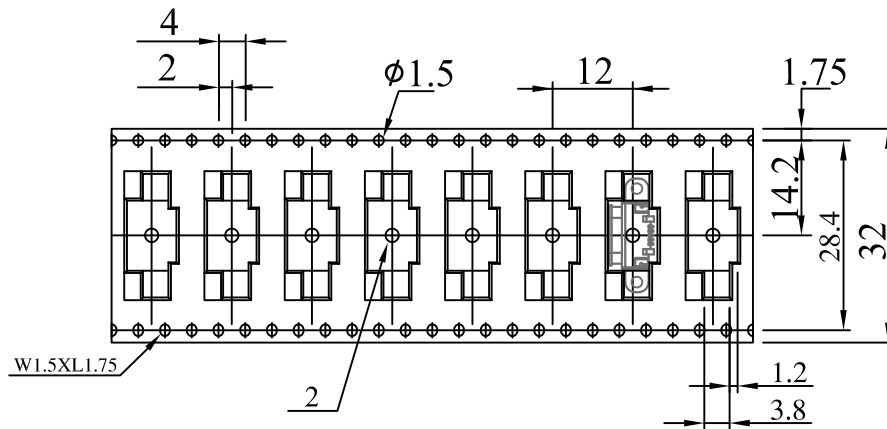
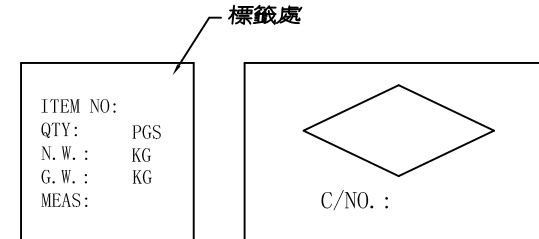
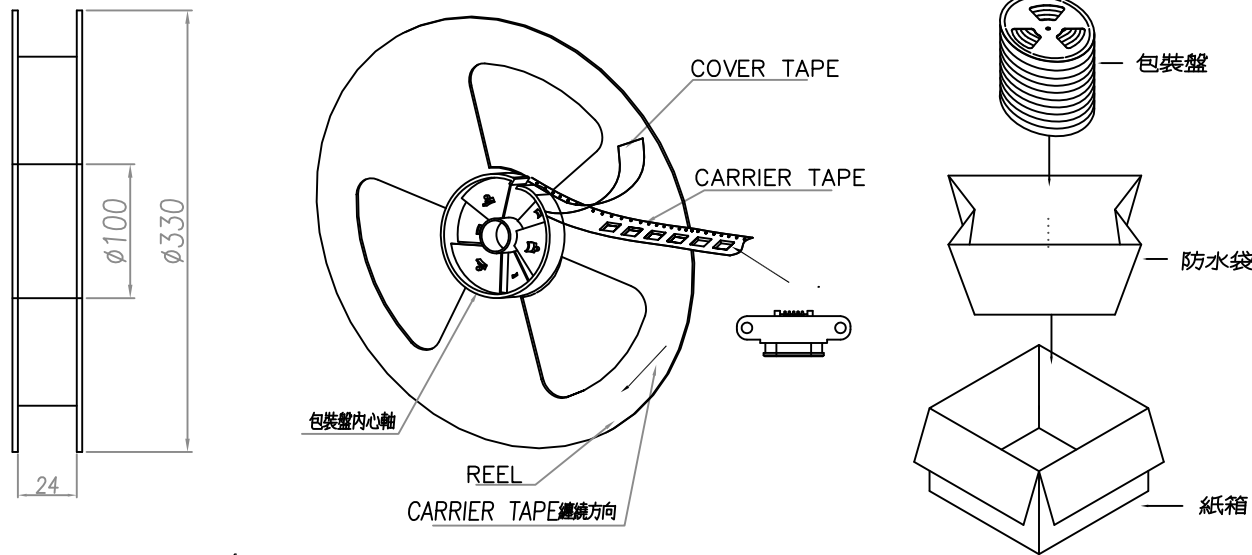
1. 將成品一一放入包裝盤內, 依同一方向置入.
2. 包裝方式, 如圖所示.
3. 一個包裝盤 1100pcs.

步驟二:

1. 一個紙箱可以裝 10 個包裝盤.
2. 每盤 1100pcs, 每箱 11000pcs.
3. 將包裝盤放入防水袋中, 包裝完後再封箱.

步驟三:

1. 用膠帶將紙箱封實.
2. 將標籤貼於紙箱上.



NOTE:

1. 若有未裝滿之零數箱, 必須以緩衝材塞滿.
2. 在搬運過程中要輕拿輕放.
3. 載運輸中不可堆放過多, 不可有重壓現象.
4. 在裝滿產品後, 必須空留帶前和帶後 10 格以上, 然後用紙膠布貼上.
5. 上帶在貼下帶時必須平整, 且黏貼處不要出現氣泡.

RoHS Compliant

TOLERANCES ARE

MORETHANALL
PCB CONNECTORS
Cable ASSEMBLIES
煜倫股份有限公司

DRAWING BY CY

CHECKED BY GENIUS

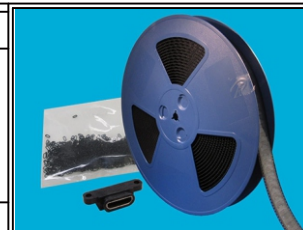
UNIT / mm SCALE 1 : 1

DATE

SIZE A4

X, ±
.X ± 0.20
.XX ± 0.10
.XXX ± 0.05
ANG ± 1°

PPOJECTION



ORDER INFORMATION

WPMIB-SWER-5B-LF

SERIES | | | | LEADFREE
5 PIN B TYPE
REEL
EAR
90°SMT
FEMALE

DESCRIPTION: waterproof micro usb 5P(F) SMT

www.morethanall.com