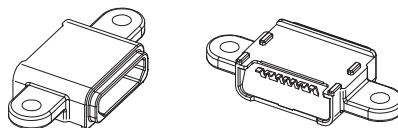
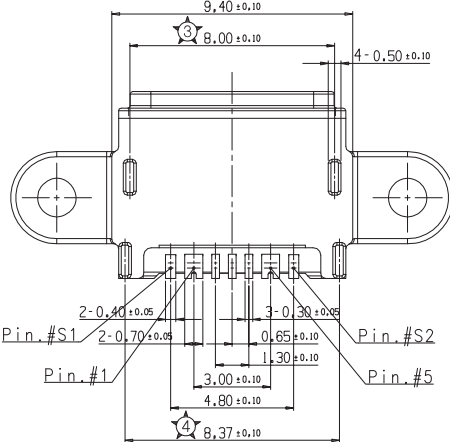
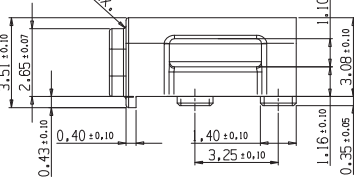
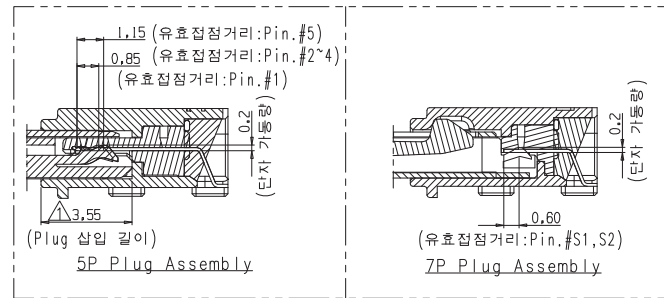


DETAIL C



- ◎ NOTE
- PLATING
 - CONTACT (Brush Plating)
 - Signal Area : Au 0.05um Min. over Pd-Ni 0.75um Min. over Ni 2.0~5.0um.
 - S1, S2 Area : Au 0.05um Min. over Ni 2.0~5.0um.
 - Lead Area : Au 0.05um Min. over Ni 0.2~3.0um.
 - SHELL (Barrel Plating)
 - Ni 1.0~5.0um
 - HOLDER PLATE, GUARD PLATE : Cleansing
 - Coplanarity : 0.08Max.
 - ☆ : CTF
 - General Tolerance : ± 0.2



NO	Descriptions	Material	Finish	Remarks
6	POTTING	SILICONE	Black Color	-
5	GUARD PLATE	SUS301	Cleansing	t0.12
4	HOLDER PLATE	SUS304	Cleansing	t0.2
3	SHELL	SUS630	Note.1	-
2	CONTACT	C7025	Note.1	t0.12
1	HOUSING	LCP	Black Color	UL94V-0

RoHS Compliant

TOLERANCES ARE

MORETHANALL
PCB CONNECTORS
Cable ASSEMBLIES

DRAWING BY CY
CHECKED BY GENIUS
UNIT / mm SCALE 1 : 1
DATE
SIZE A4 PPROJECTION

X, ±
.X ±
.XX ±
.XXX ±
ANG ±

照片框

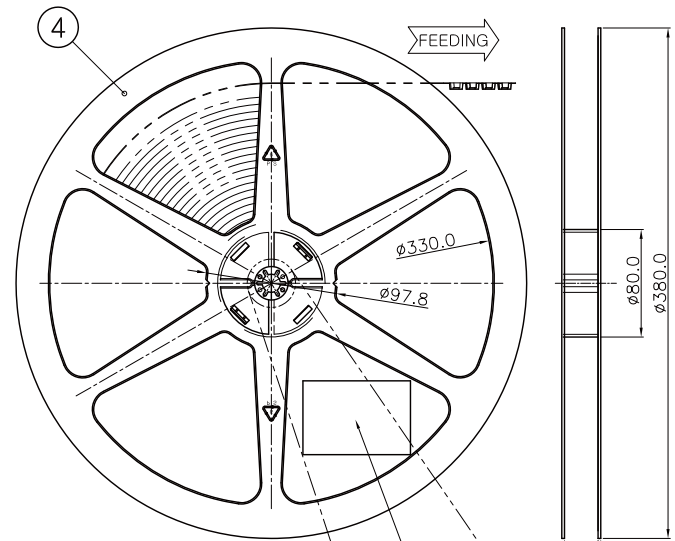
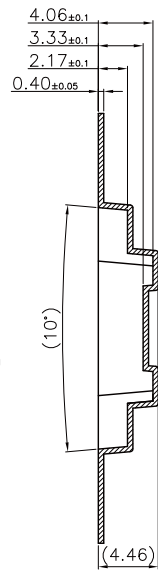
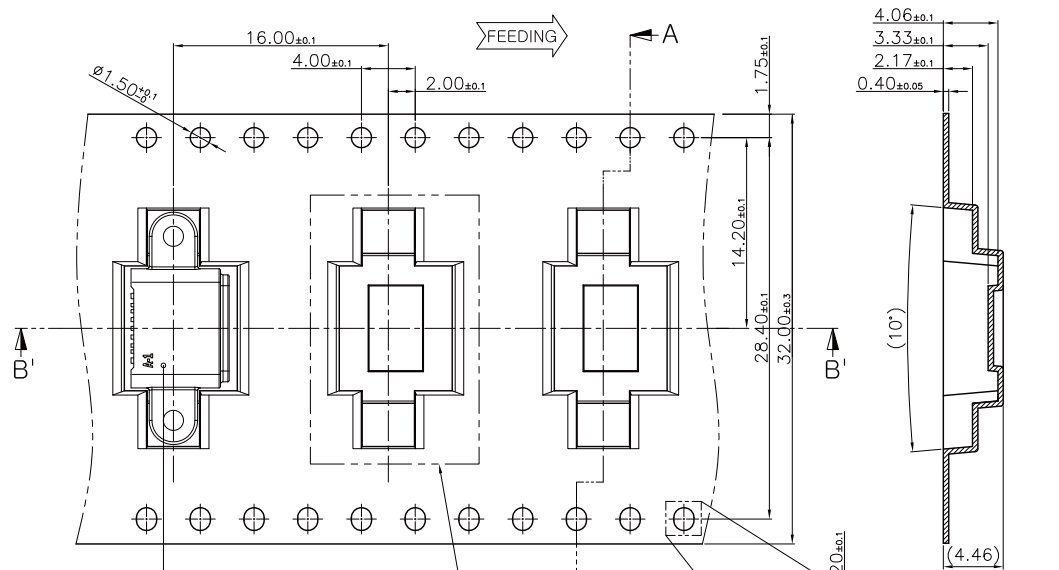
ORDER INFORMATION

WPMIB-SWEFMMR-5B-LF
SERIES | | | | | LEADFREE
| | | | | 5 PIN B TYPE
| | | | | REEL
| | | | | METAL FOOT
FEMALE 90°SMT OFFSET EAR

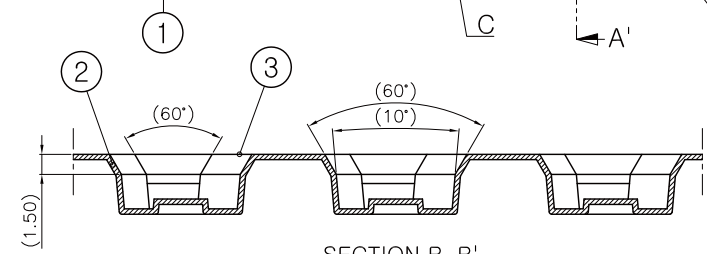
DESCRIPTION:

煜倫股份有限公司

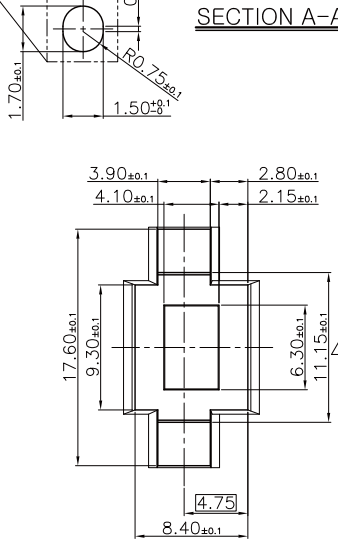
www.morethanall.com



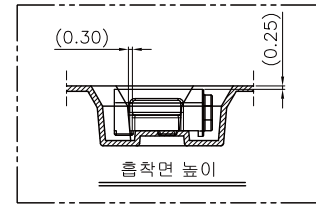
REEL FOR CARRIER TAPE



SECTION B-B'

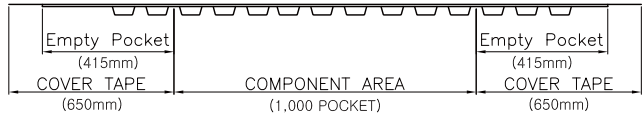


DETAIL C



※ NOTE

1. CARRIER TAPE PACKING LENGTH



- 2. PEELING FORCE : 10 ~ 132gf
- 3. OUT BOX PACKING
 - 8 REEL(8,000EA) / 1BOX
 - 1,000EA / 1REEL

4	REEL	1	PS	PS (White)	ø380 x t2.0
3	COVER TAPE	17.3m	PET	PET (transparency)	w25.5 x t0.06
2	CARRIER TAPE	1,052	PET	PET (transparency)	w32 x h4.46 x t0.4
1	CONNECTOR	1,000	-	-	HY07-AB1740
품번	품명	수량	재질	처리사항	비고

RoHS Compliant

TOLERANCES ARE

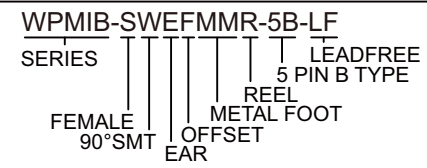
MORETHANALL
PCB CONNECTORS
Cable ASSEMBLIES

DRAWING BY CY
CHECKED BY GENIUS
UNIT / mm SCALE 1 : 1
DATE
SIZE A4

X, ±
.X ±
.XX ±
.XXX ±
ANG ±

照片框

ORDER INFORMATION



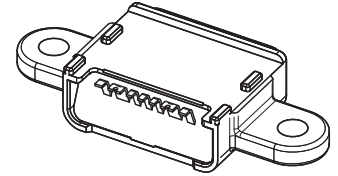
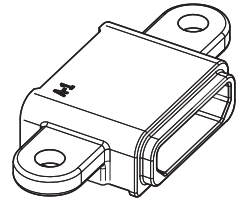
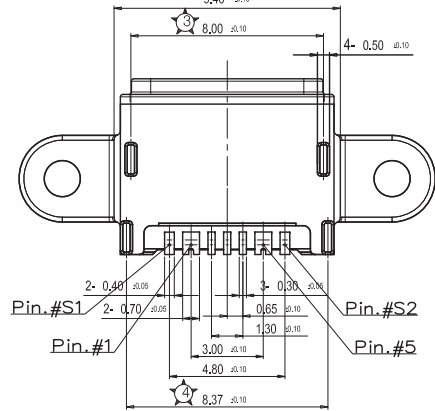
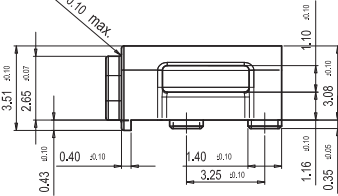
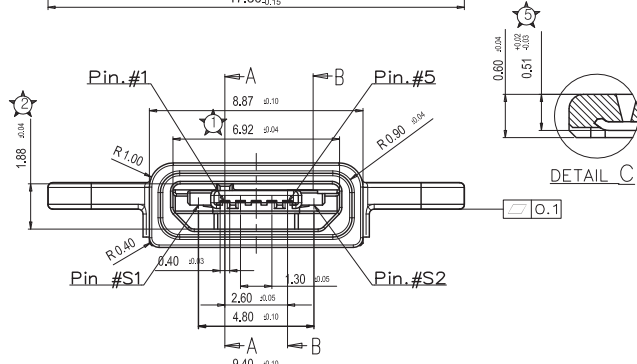
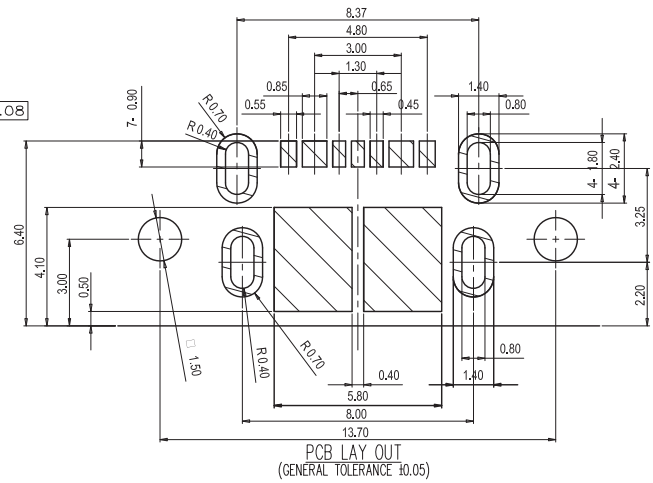
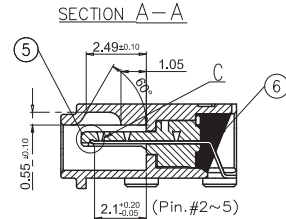
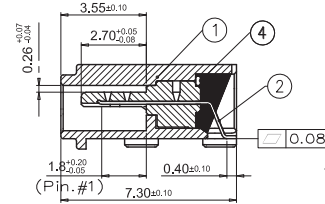
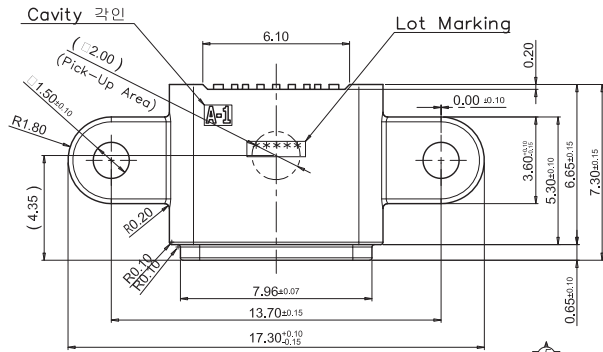
DESCRIPTION:

煜倫股份有限公司

www.morethanall.com

PJECTION

1. Product Dimension Data



RoHS Compliant

TOLERANCES ARE

MORETHANALL
PCB CONNECTORS
Cable ASSEMBLIES

DRAWING BY CY

X, \pm

CHECKED BY GENIUS

X, \pm

UNIT / mm

SCALE 1 : 1

.XX, \pm

DATE

.XXX, \pm

ANG, \pm

SIZE A4

PJECTION

照片框

ORDER INFORMATION

WPMIB-SWEFMMR-5B-LF

SERIES

FEMALE

90°SMT

REEL

OFFSET

EAR

LEADFREE

5 PIN B TYPE

METAL FOOT

REEL

OFFSET

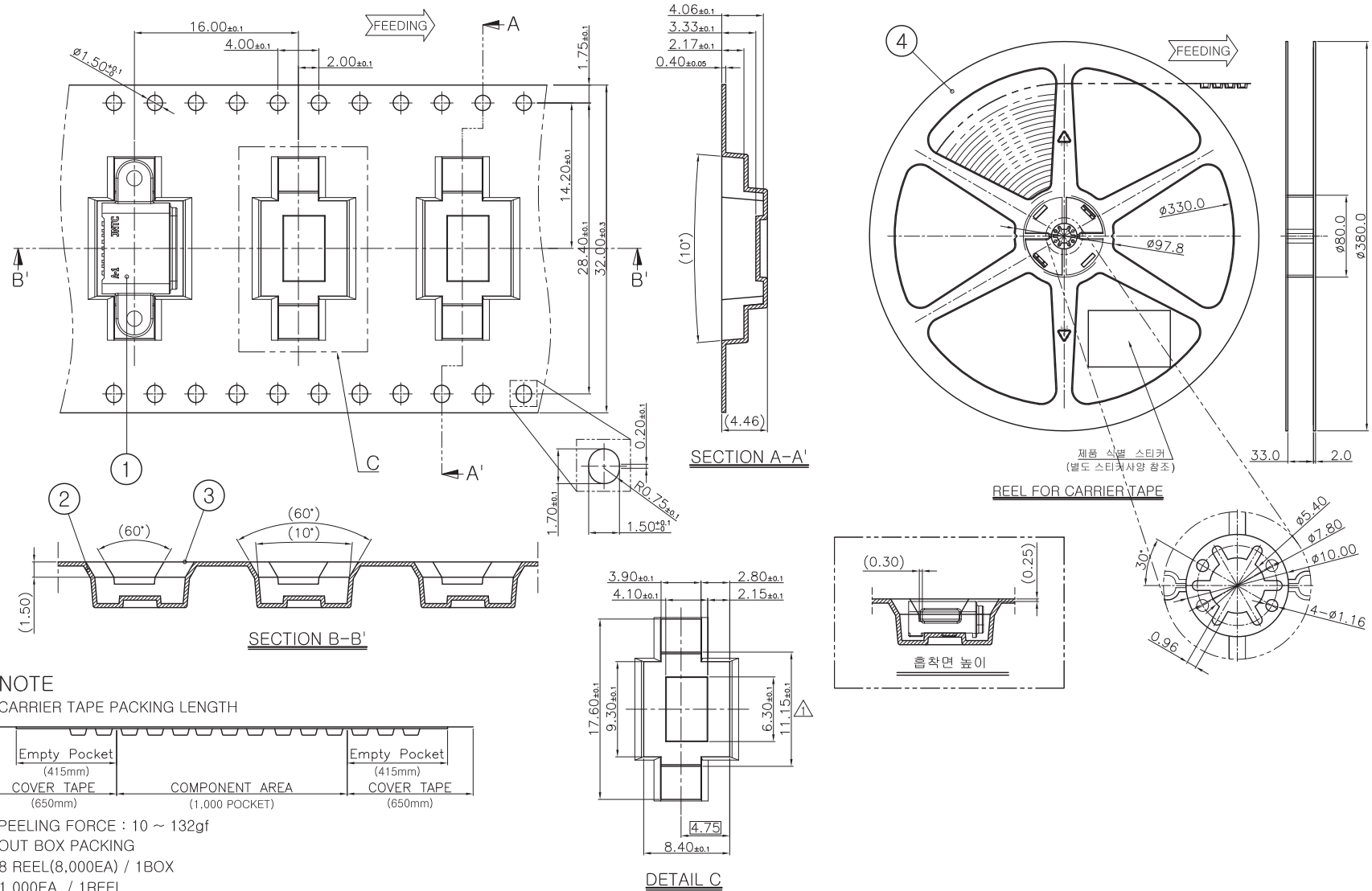
EAR

煜倫股份有限公司

www.morethanall.com

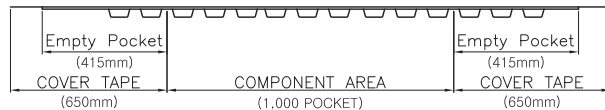
DESCRIPTION:

2. Carrier Tape & Reel DIMENSION DATA



※ NOTE

1. CARRIER TAPE PACKING LENGTH



2. PEELING FORCE : 10 ~ 132gf

3. OUT BOX PACKING

- 8 REEL(8,000EA) / 1BOX

- 1,000EA / 1REEL

RoHS Compliant

TOLERANCES ARE

MORETHANALL
PCB CONNECTORS
Cable ASSEMBLIES

DRAWING BY CY

CHECKED BY GENIUS

UNIT / mm

SCALE 1 : 1

DATE

SIZE A4

X, \pm

.X, \pm

.XX, \pm

.XXX, \pm

ANG, \pm

照片框

ORDER INFORMATION

WPMIB-SWEFMMR-5B-LF

SERIES

FEMALE

90°SMT

REEL

OFFSET

EAR

METAL FOOT

5 PIN B TYPE

LEADFREE

REEL

OFFSET

EAR

DESCRIPTION:

煜倫股份有限公司

www.morethanall.com

PJECTION