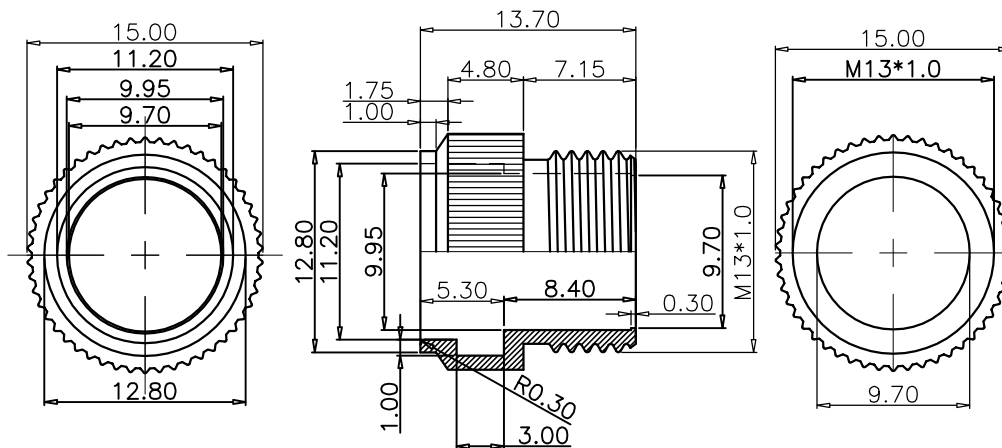


1. MATERIAL :
- 1-1. HOUSING : PBT UL94V-0
  - 1-2. CONTACT : PHOSPHOR BRONZE
  - 1-3. SHELL : BRASS
  - 1-4. SPRING : PHOSPHOR BRONZE
2. FINISH :
- 2-1. CONTACT : GOLD FLASH
  - 2-2. SHELL : GOLD FLASH
  - 2-3. SPRING : SILVER



1. MATERIAL :
- 1-1. SHELL : COPPER ALLOY
2. FINISH :
- 2-1. SHELL : GOLD FLASH

WPMD-SS-04-LF  
LEADFREE  
RoHS Compliant

**MORETHANALL**  
CONNECTORS  
ASSEMBLIES

PART NO. WPMD-SS-04

DWG NO. WPMD-SS-04

FILE NO.

CHECKED BY CY

DRAWING BY

TOLERANCES ARE

X ±  
.X ± 0.25  
.XX ± 0.10  
.XXX ±  
ANG

DESCRIPTION: MINI DIN 4P FEMALE  
SCREW LOCKING FOR CABLE MOLDING

焯倫股份有限公司

UNIT / mm

SCALE 1:1

PROJECTION

AREA

REVISIONS

DATE