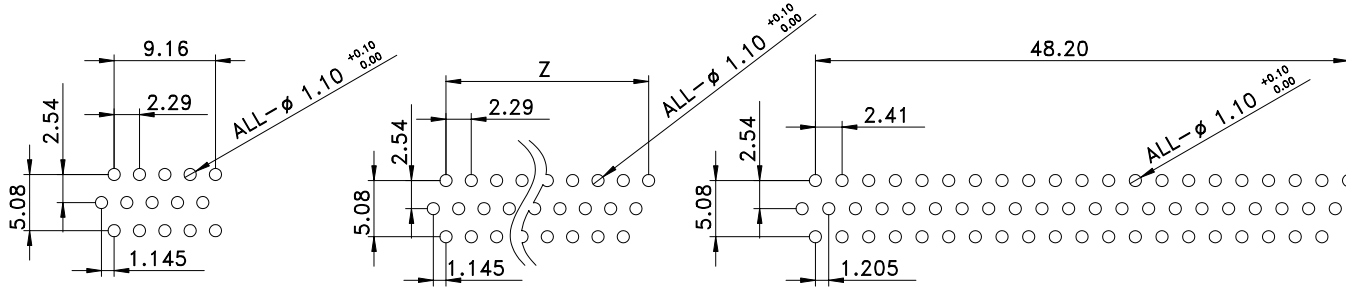
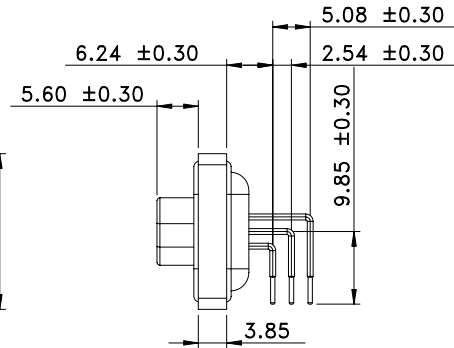
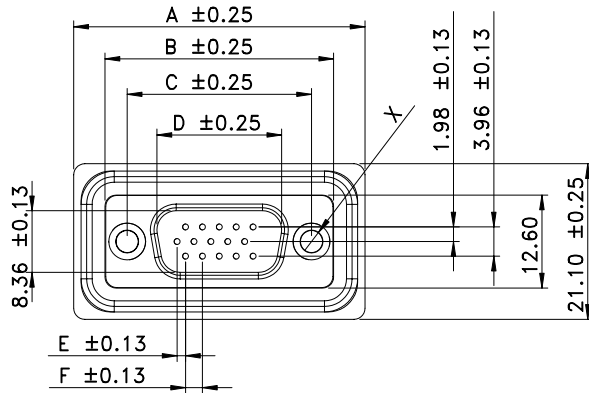


Recommended Panel Cut-Out
TOLERANCE: ±0.05mm



Recommended P.C.B Layout
For 15PIN TOLERANCE: ±0.05mm

Recommended P.C.B Layout
For 26PIN Z=18.32
For 44PIN Z=32.06
TOLERANCE: ±0.05mm

Recommended P.C.B Layout
For 62PIN TOLERANCE: ±0.05mm

SPECIFICATION

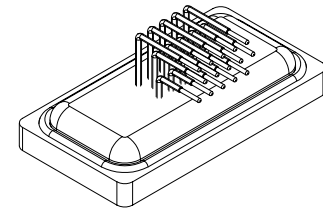
MATERIAL
Insulator: Thermoplastic
Contacts: Copper Alloy
Shell: Steel
O-ring: Silicone
Sealant: Epoxy-Resin
Rivet: Copper Alloy

CONTACT PLATING

Underplate :50u"~150u" Nickel
Contact Area :1u"~30u" Selective Gold
Rivet :50u"~100u" Nickel

ELECTRICAL

Operation Voltage :250 VAC Max
Current Rating :3 Amps Max
Contact Resistance :15 Mohms Min 500 VDA
Dielectric Withstanding Voltage 1000 VAC/Minute
Temperature Range :-55°C TO +105°C



PIN	A	B	C	D	E	F	W	Y
15	39.50	31.00	25.00	16.91	1.145	2.29	25.20	20
26	48.00	39.30	33.32	25.25	1.145	2.29	33.50	28.30
44	61.50	53.20	47.04	38.97	1.145	2.29	47.20	42.00
62	77.80	69.50	63.50	55.43	1.205	2.41	63.70	58.50

DIM FOR "X"

1=4.8mm Closed Circular Rivet(M3)

2=4.8mm Closed Circular Rivet(4#40)

RoHS Compliant

TOLERANCES ARE

MORETHANALL
PCB CONNECTORS
Cable ASSEMBLIES

DRAWING BY CY

CHECKED BY GENIUS

UNIT / mm SCALE 1 : 1

DATE

SIZE A4

X, ±
.X ±
.XX ±
.XXX ±
ANG ±

P PROJECTION



ORDER INFORMATION

WPHD-PR-xx-LF

SERIES | | LEADFREE
15-62WAY
DIP 90°
MALE

煜倫股份有限公司

www.morethanall.com

DESCRIPTION: WATER-PROOF HIGH DENSITY D-SUB(DIP90° MALE)