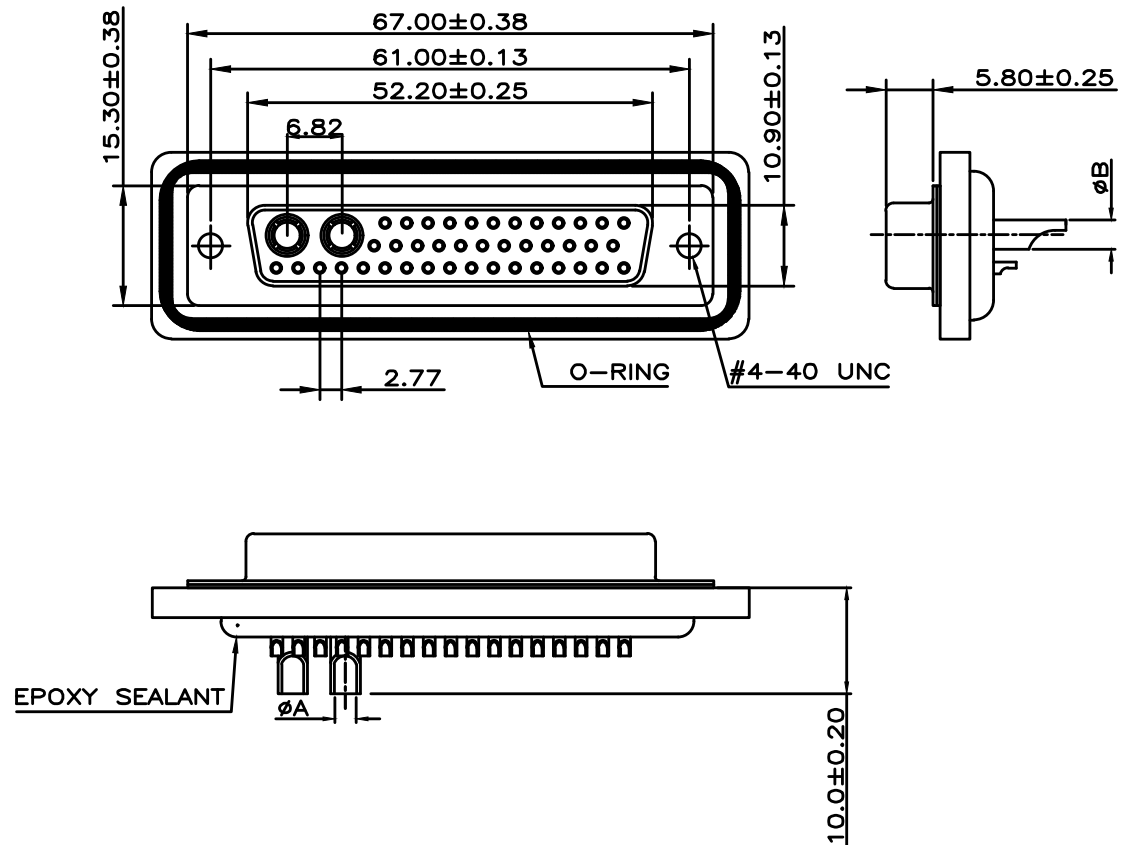


| Table 1 Material | |
|---------------------|---|
| Power Contact | Brass |
| Signal Contact | Brass |
| Metal Shell | Steel/Dimples on Plug only |
| Insulator | UL94V-0 Thermoplastic 30% glass filled |
| Metal Bracket | Steel |
| O-RING | SILICONE |
| EPOXY SEALANT | EPOXY |

| Table 2 Finish | |
|-------------------|---------------|
| Power Contact | Gold-plated |
| Signal Contact | Gold-plated |
| Metal Shell | Nickel plated |

| Table 3 Electrical Data | |
|----------------------------|-------------------|
| Current Rating | |
| Signal Contact | 5 Amp |
| Power Contact | 10 - 40 Amp |
| Operating Temperature | -55°C - +125°C |
| Insulator Resistance | Minimum 5000 MΩ |
| Contact Resistance | Maximum 10mΩ |
| Dielectric w/standing Volt | 1000 V AC per min |

| Table 4 Dimension & Current Rating | | | |
|---------------------------------------|------------|-----------|------|
| Current Rating | Wire Size | Dimension | |
| | | øA | øB |
| 40 AMPS | AWG #8-10 | ø4.6 | ø5.5 |
| 30 AMPS | AWG #10-12 | ø3.7 | ø4.6 |
| 20 AMPS | AWG #12-14 | ø2.7 | ø3.6 |
| 10 AMPS | AWG #16-18 | ø1.7 | ø2.5 |



RoHS Compliant

TOLERANCES ARE

MORETHANALL
PCB CONNECTORS
Cable ASSEMBLIES

煜倫股份有限公司

www.morethanall.com

DRAWING BY CY

CHECKED BY GENIUS

UNIT / mm

SCALE 1:1

DATE

SIZE A4

PJECTION

X. ±
.X ±
.XX ±
.XXX ±
ANG ±

照片框

ORDER INFORMATION

WPDWS-SxxN-43W2-LF

SERIES | NUT | LEADFREE
| 43W2 |
FEMALE | 10:10Amps
| 20:20Amps
| 30:30Amps
| 40:40Amps

DESCRIPTION: D-SUB POWER 43W2 Solder Type