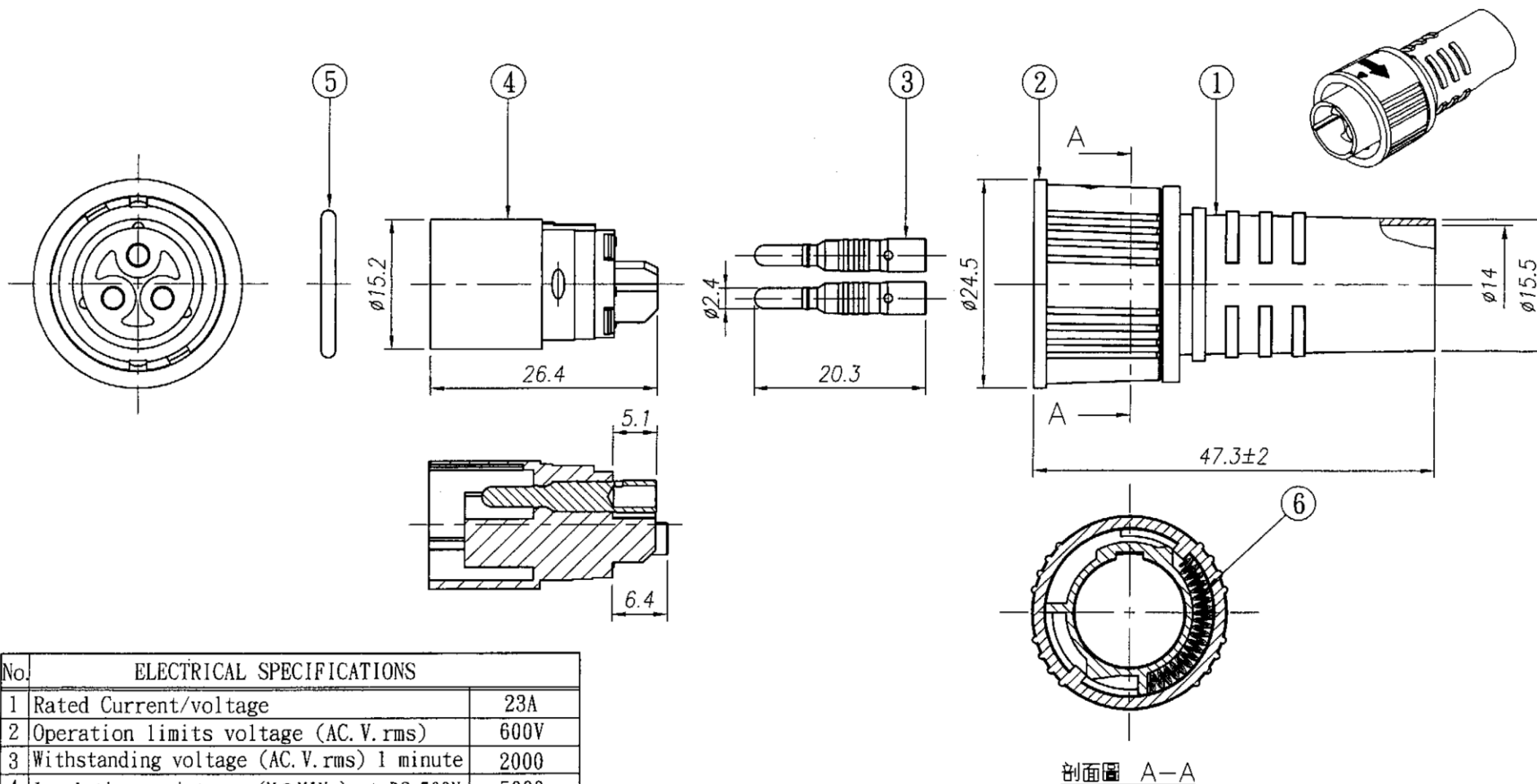


NO	名稱 NAME	材質 MATL	件數 SHT	處理 TREAT	備註 REMARK	NO	名稱 NAME	材質 MATL	件數 SHT	處理 TREAT
1	本體 BODY	PLASTIC	1	黑色 BLACK	—————	4	絕緣體 INSULATOR	PLASTIC	1	黑色 BLACK
2	固定帽 CAP	PLASTIC	1	黑色 BLACK	—————	5	O型環 O-RING	SILICON	1	黑色 BLACK
3	導針 CONTACT	COPPER ALLOY	3	鍍金 M-Au	附件	6	壓縮彈簧 SPRING	SUP3	1	鍍鎳 M-Ni



No.	ELECTRICAL SPECIFICATIONS	
1	Rated Current/voltage	23A
2	Operation limits voltage (AC. V. rms)	600V
3	Withstanding voltage (AC. V. rms) 1 minute	2000
4	Insulation resistance (MΩMIN.) at DC 500V	5000
5	Contact resistance (mΩMAX.) at DC 1A	3

RoHS Compliant

TOLERANCES ARE

**MORETHANALL**  
PCB CONNECTORS  
Cable ASSEMBLIES

DRAWING BY CY

X.±

CHECKED BY GENIUS

.X±

UNIT / mm

SCALE 1:1

.XXX±

DATE

ANG±

煜倫股份有限公司

www.morethanall.com

SIZE A4

PJECTION

照片框

ORDER INFORMATION

WPC24-PABK-03N-LF

SERIES

LEADFREE  
SNAP/ON  
03 WAY  
BLACK  
ASSEMBLY  
MALE

DESCRIPTION: