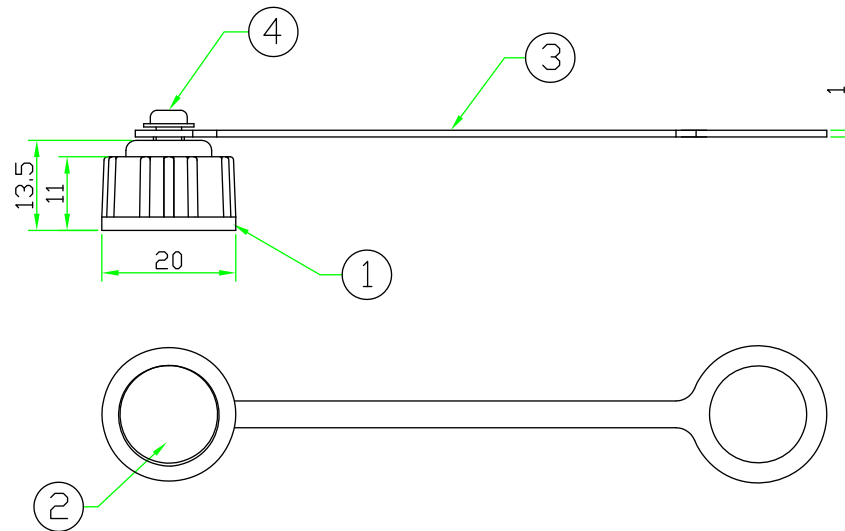


NOTE:  
Panel Thickness Max:2.0mm  
(適用面板最大厚度)

GASKET/NBR/BLACL/1PCS



NOTE:  
Panel Thickness Max:3.0mm  
(適用面板最大厚度)

GASKET/NBR/BLACL/2PCS

4	SCREW	Stainless stell	BLACK	1	
3	CHAIN	Rubber	BLACK	1	
2	GASKET	NBR	BLACK	1	
1	SCREW CAP	NYLOWN+GF	BLACK	1	
NO.	PART NAME	DESCRIPTION	COLOR	Q' TY	REMARKS

RoHS Compliant

TOLERANCES ARE

**MORETHANALL**  
PCB CONNECTORS  
Cable ASSEMBLIES

DRAWING BY CY

CHECKED BY GENIUS

UNIT / mm SCALE 1 : 1

DATE

SIZE A4

X, ±  
.X ± 0.50  
.XX ± 0.25  
.XXX ± 0.10  
ANG ± 3°

PPOJECTION

照片框

ORDER INFORMATION

WPC15-PCCBK-01M-LF

SERIES | | | | | LEADFREE  
METKIC ON  
01 WAY  
MALE | BLACK  
CHAIN  
COVER

煜倫股份有限公司

www.morethanall.com

DESCRIPTION: