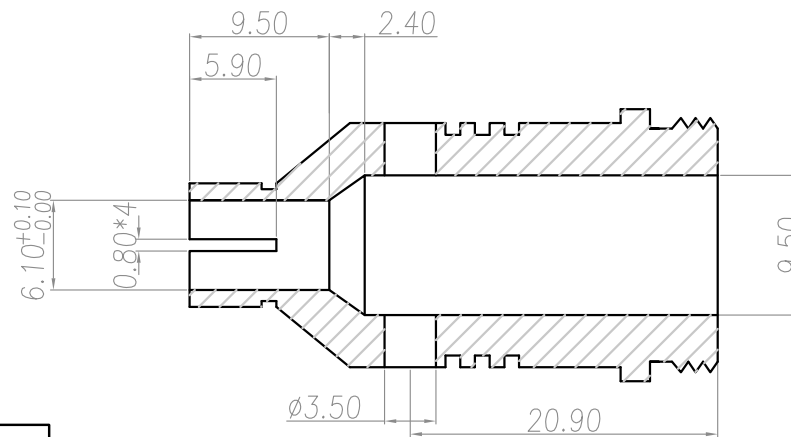
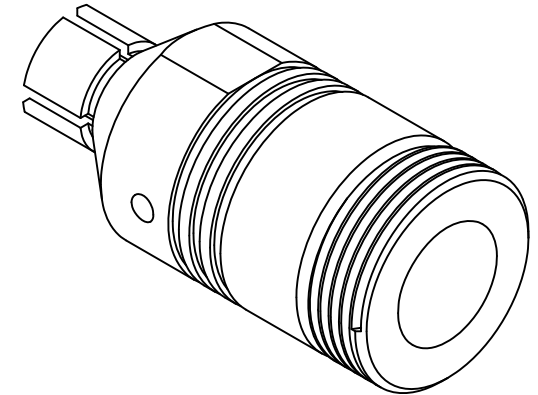
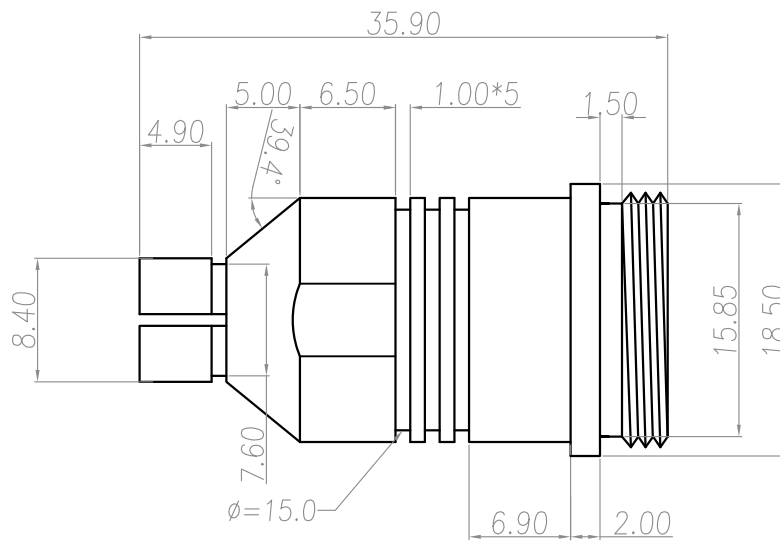
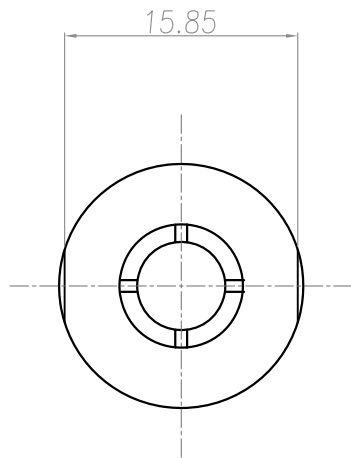


1. MATERIAL :
 - 1-1. SHELL : ALUMINUM
 - 1-2. O-RING-A : NBR ; COLOR : BLACK.
 - 1-3. O-RING-B : NBR ; COLOR : BLACK.
 - 1-4. INSULATOR-A : DAP ; COLOR : BLUE.
 - 1-5. CONTACT : BRASS
 - 1-6. LOADING SLEEVE : POM ; COLOR : WHITE.
 - 1-7. RING : SILICONE ; COLOR : BLACK.
 - 1-8. INSULATOR-B : PBT ; COLOR : BLACK.
2. FINISH :
 - 2-1. CONTACT : GOLD FLASH.

WPAU-SA-06-LF
LEADFREE
RoHS Compliant

	PART NO. WPAU-SA-06		CHECKED BY CY	TOLERANCES ARE X. ± .XX ± 0.10 .XXX ± 0.05 ANG	DESCRIPTION:		
	DWG NO. WPAU-SA-06						
焯倫股份有限公司	FILE NO.		PROJECTION	AREA	REVISIONS	DATE	
	UNIT / mm	SCALE 1:1					



1. MATERIAL :ALUMINUM/鋁

TABLE A/表A

NICKEL 60u" ~ 100u"
SOURCE MATERIAL/素材

MORETHANALL
CONNECTORS
ASSEMBLIES

PART NO. WPAU-SA-06

DWG NO. WPAU-SA-06

FILE NO.

CHECKED BY CY

DRAWING BY

TOLERANCES ARE

X, ±
.X ± 0.10
.XX ± 0.05
.XXX ± 0.03
ANG

DESCRIPTION:			
AREA	REVISIONS	DATE	

煜倫股份有限公司

UNIT / mm

SCALE 1:1

PROJECTION