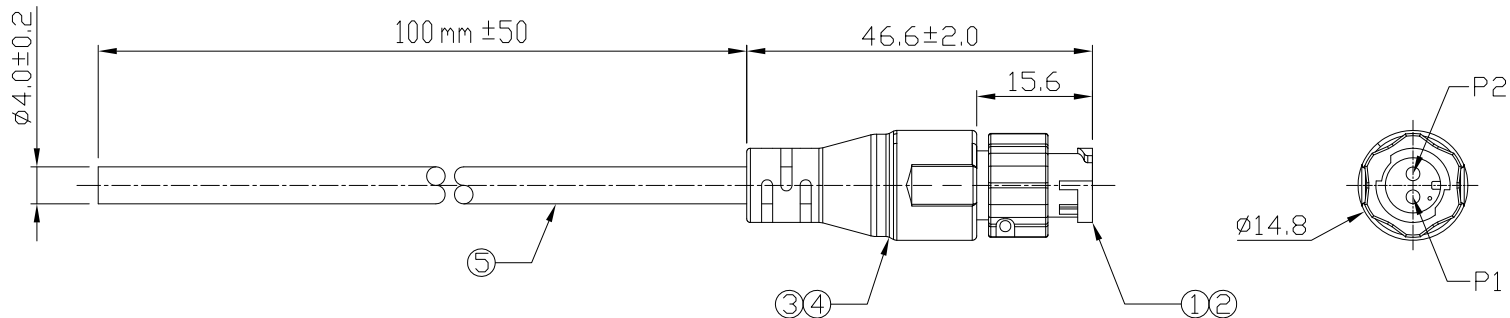


Notes: (Unless Otherwise Specified)

1. Waterproof Rate : IPX7 (Mating).
2. RoHS Compliance.



- | | |
|---|-------|
| 1 | Black |
| 2 | Brown |
| | Drain |

Wire Diagramme

Item	Part Name	Material/Finish	Q'ty
1	Hosing	Thermal Plastic Color: Black	1
2	Contacts	Copper Alloy Finish: Au Plated	3
3	Inner Mold	Thermal Plastic Color: White Or Black	1
4	Over Mold	PVC Color: Black	1
5	Cable	UL2464 24AWG*2C+Al/My+D ØD=4.0mm Color: Black	1

WPADX1-020024-M10C-LF
LEADFREE

RoHS Compliant

	PART NO. WPADX1-020024-M10C		TOLERANCES ARE X ± .X ± 0.5 .XX ± 0.2 .XXX ± 0.05 ANG ± 0.5°	DESCRIPTION: C1 Cable To Cable, 5A Male 2P Lock
	DWG NO. WPADX1-020024-M10C			
焯倫股份有限公司	FILE NO.		DRAWING BY	AREA
	UNIT / mm	SCALE 1:1	PROJECTION	
				DATE