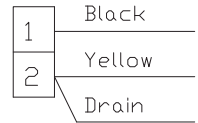
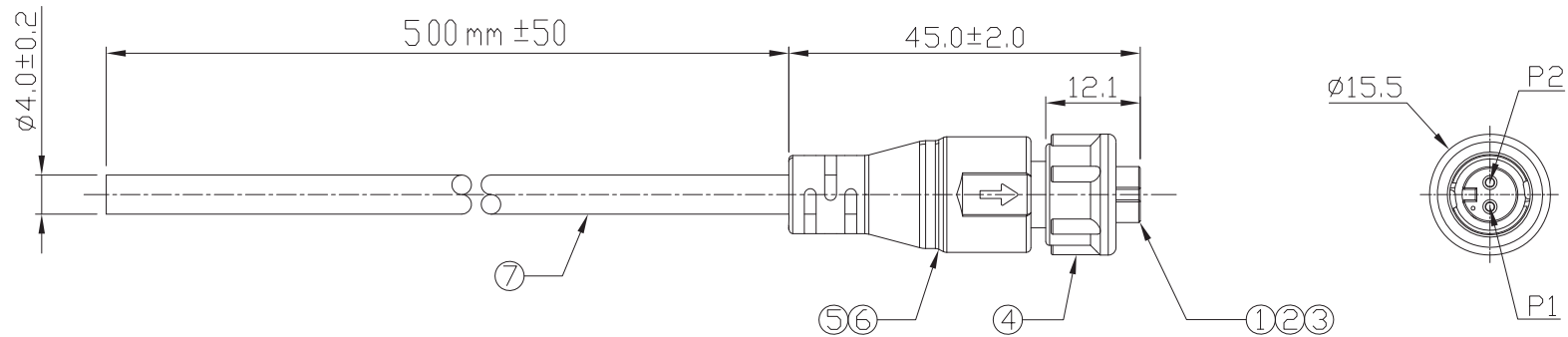


Notes: (Unless Otherwise Specified)

- 1. Waterproof Rate : IPX7 (Mating).
- 2. RoHS Compliance.



Wire Diagram



Item	Part Name	Material/Finish	Q'ty
1	Hosing	Thermal Plastic Color: Black	1
2	Contacts	Copper Alloy Finish: Au Plated	2
3	O-ring	Silicone Color: Red	1
4	Lock Nut	Thermal Plastic Color: Black	1
5	Inner Mold	Thermal Plastic Color: White Or Black	1
6	Over Mold	PVC Color: Black	1
7	Cable	UL2464 24AWG*2C+Al/My+Drain ØD=4.0mm Color: Black	1

WPADX1-020024-F50C-LF

LEADFREE

RoHS Compliant



PART NO. WPADX1-020024-F50C

DWG NO. WPADX1-020024-F50C

CHECKED BY CY

TOLERANCES ARE

- X ±
- .X ± 0.5
- .XX ± 0.2
- .XXX ±
- ANG ± 0.5°

DESCRIPTION: C1 Cable End 5A Female  
2P Lock

煜倫股份有限公司

UNIT / mm

SCALE 1:1

DRAWING BY



AREA

REVISIONS

DATE