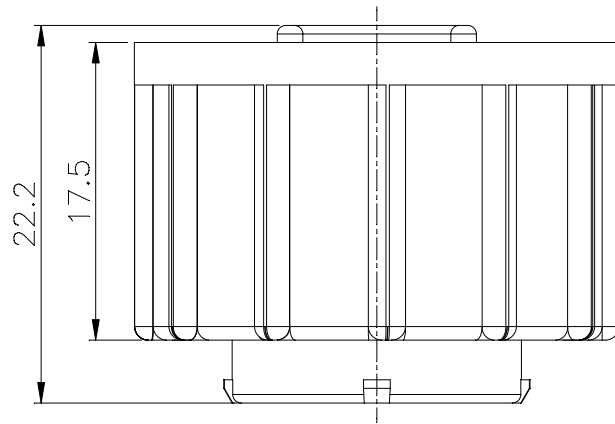


MATERIALS:
 PLASTIC HOUSING: ENGINEERING THERMOPLASTIC
 FLAMMBILITY RATING UL 94V-0.

WMP-H-0808-LF
 LEADFREE

RoHS Compliant



MORETHANALL
 CONNECTORS
 ASSEMBLIES

PART NO. WMP-H-0808

DWG NO. WMP-H-0808

CHECKED BY CY

TOLERANCES ARE

DESCRIP TION: 防水蓋

FILE NO.

DRAWING BY

.X ± 0.2
 .XX ±
 .XXX ±
 AWG

AREA

REVISIONS

HK

DATE

焜倫股份有限公司

UNIT / mm

SCALE 1:1

PROJECTION

