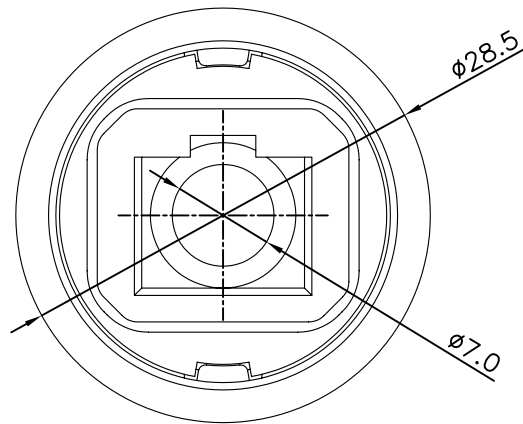
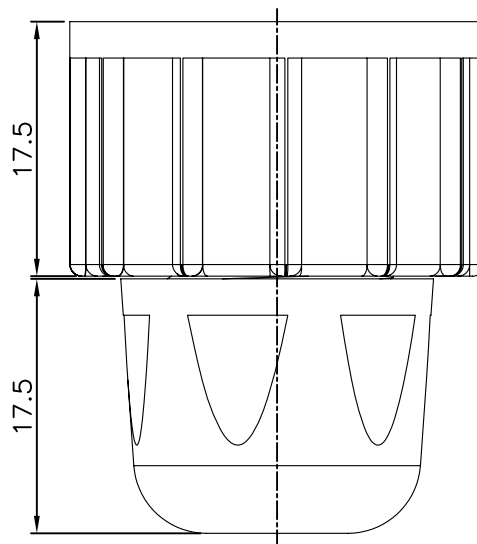


1 2 3 4 5 6 7 8 9 0

J
I
H
G
F
E
D
C
B
A



WMP-C-0808-LF
LEADFREE
RoHS Compliant



MORETHANALL
CONNECTORS
ASSEMBLIES

煜倫股份有限公司

PART NO. WMP-C-0808		CHECKED BY CY		TOLERANCES ARE .X ± 0.2 .XX ± .XXX ± AWG	DESCRIP TION: 防水接頭(線端)			
DWG NO. WMP-C-0808		DRAWING BY			AREA	REVISIONS	HK	DATE
UNIT / mm	SCALE 1:1	PROJECTION 