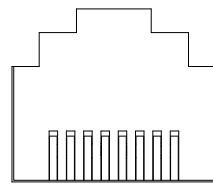
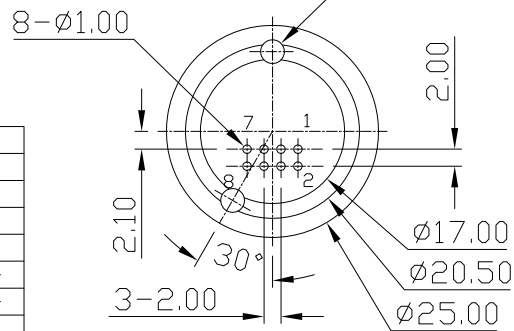


Recommended Panel Cut-Out



8 7 6 5 4 3 2 1

2- $\phi$ 2.80  
ALIGNMENT PIN



PCB LAYOUT TOP VIEW

RJ45 SHIELDED		
Pin	Name	Function
1	TX D1+	TRANCEIVE DATA+
2	TX D1-	TRANCEIVE DATA-
3	RX D2+	RECEIVE DATA+
4	BI D3+	BI DIRECTIONAL DATA+
5	BI D3-	BI DIRECTIONAL DATA-
6	RX D2-	RECEIVE DATA-
7	BI D4+	BI DIRECTIONAL DATA+
8	BI D4-	BI DIRECTIONAL DATA-

WMJ-DPBNW-0808-LF  
LEADFREE  
RoHS Compliant

**MORETHANALL**  
CONNECTORS  
ASSEMBLIES

PART NO. WMJ-DPBNW-0808

DWG NO. WMJ-DPBNW-0808

CHECKED BY CY

TOLERANCES ARE

DESCRIPTION:

SIZE 3 RJ45 PANEL  
FOR METAL 180

FILE NO.

DRAWING BY

.X  $\pm$  0.2  
.XX  $\pm$   
.XXX  $\pm$   
AWG

AREA

REVISIONS

HK

DATE

煜倫股份有限公司

UNIT / mm

SCALE 1:1

PROJECTION

