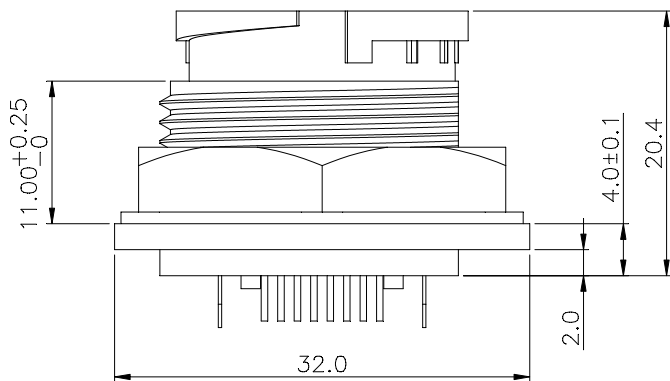
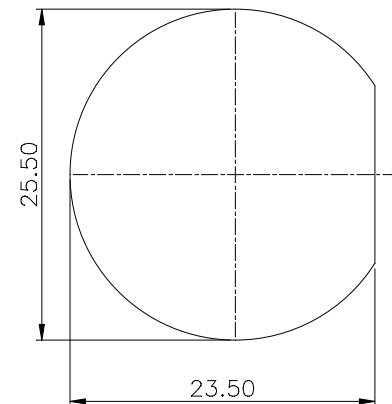


PCB LAYOUT/TOP VIEW



WMJ-DPB-0808-LF
LEADFREE
RoHS Compliant



Panel Cut-Out

MATERIALS:
 PLASTIC HOUSING: HIGH TEMP. THERMOPLASTIC
 FLAMMABILITY RATING UL 94V-0.
 CONTACTS: PHOSPHOR BRONZE
 PLATING: GOLD PLATING OVER NICKEL IN CONTACT.
 TIN PLATING OVER NICKEL IN SOLDER AREA.
 SHIELDED: BRASS WITH NICKEL PLATED
 Nut:ENGINEERING THERMOPLASTIC FLAMMABILITY RATING UL 94V-0.
 Gasket: EPDM

MORETHANALL
CONNECTORS
ASSEMBLIES

煜倫股份有限公司

PART NO. WMJ-DPB-0808		CHECKED BY CY	TOLERANCES ARE .X ± 0.2 .XX ± .XXX ± AWG	DESCRIP TION: 防水接頭(盒端)			
DWG NO. WMJ-DPB-0808							
FILE NO.		DRAWING BY	AREA REVISIONS HK DATE				
UNIT / mm	SCALE 1:1	PROJECTION					