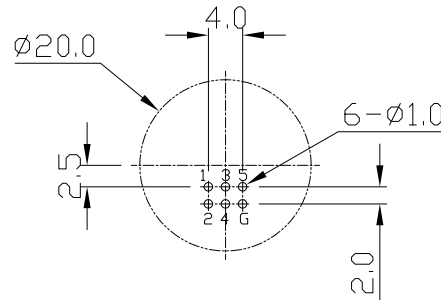
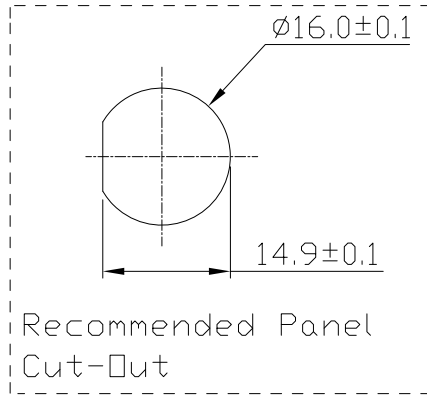
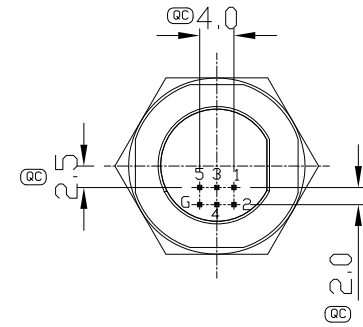
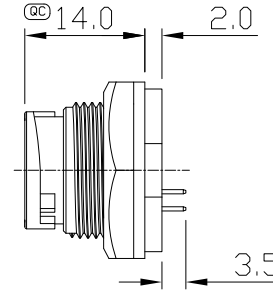
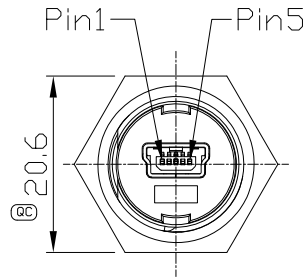


- NOTES: (UNLESS OTHERWISE SPECIFIED)
1. $\text{\textcircled{C}}$ Critical Dimension.
 2. Waterproof Rate : IP67.
 3. Panel Thickness : 0.8 to 3.0 mm.
 4. HEX NUT TORQUE: 1.5~2 kgf-cm TIGHTENING TORQUE.



PCB LAYOUT TOP VIEW

MINI USB TYPE B			
Pin	Name	Function	Mating Cable Color
1	VBUS	+5VDC	Red
2	D-	Data-	White
3	D+	Data+	Green
4	ID	N/C	N/C
5	GDN	Ground	Black
G	Shell	Shield	Drain-Wire

WMB-SDPB-5B-LF
LEADFREE
RoHS Compliant

MORETHANALL
CONNECTORS
ASSEMBLIES

PART NO. WMB-SDPB-5B

DWG NO. WMB-SDPB-5B

FILE NO.

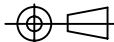
UNIT / mm

SCALE 1:1

CHECKED BY CY

DRAWING BY

PROJECTION



TOLERANCES ARE

.X ± 0.2
.XX ±
.XXX ±
AWG

DESCRIPTION:

SIZE 2 MINI USB-B
LOCK,PANEL,DIP 180°

AREA

REVISIONS

HK

DATE

煜倫股份有限公司