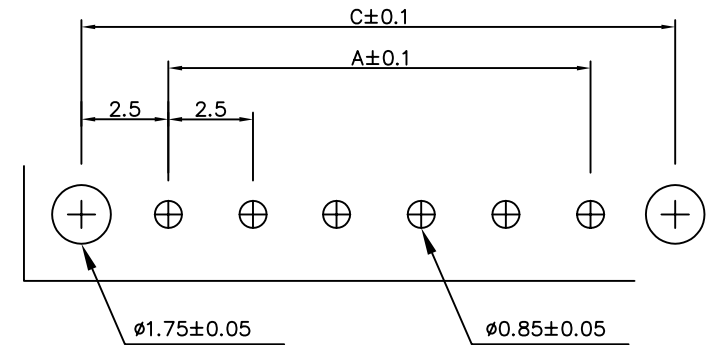
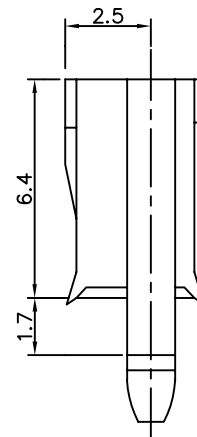
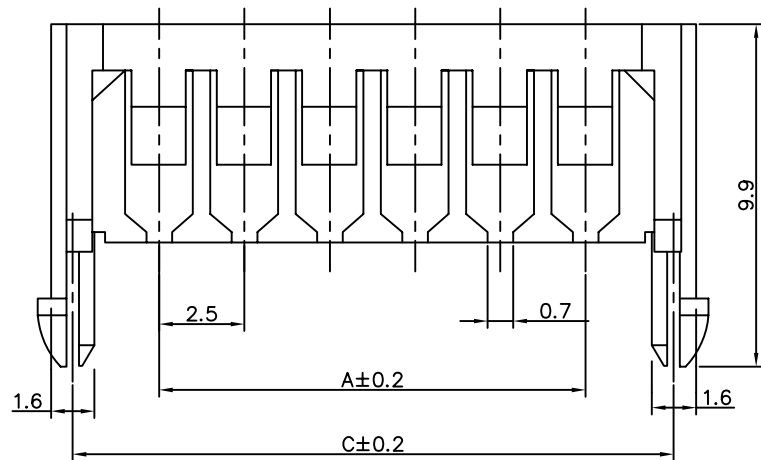


Insulator: PBT & Nylon. UL 94V-0. Color Nature  
Accommodated Wire Size: AWG#24~26



Recommended P.C. Board Layout

A = 2.5 X No. of Spaces  
B = A + 5.3  
C = A + 5.0  
\*Available in 2 through 15 circuits

RoHS Compliant

TOLERANCES ARE

**MORETHANALL**  
PCB CONNECTORS  
Cable ASSEMBLIES

DRAWING BY CY

X. ±

CHECKED BY GENIUS

.X ±

UNIT / mm

SCALE 1 : 1

.XX ±

DATE

.XXX ±

ANG ±

照片框

ORDER INFORMATION

WH20-DA-xx-LF

SERIES | LEADFREE  
02~15WAY  
CLOSE FLAT CABLE  
DIP 180°

煜倫股份有限公司

www.morethanall.com

SIZE A4

PJECTION

DESCRIPTION: 2.50mm WIRE HOLDER CONNECTOR