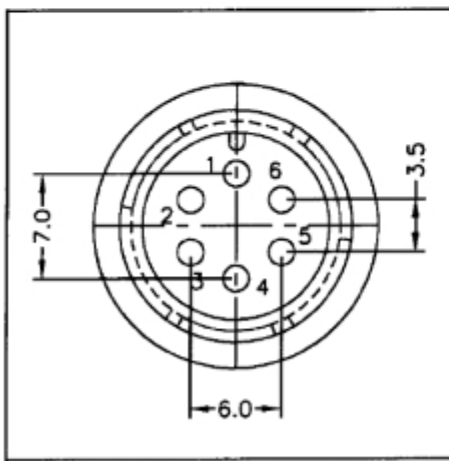


PANEL HOLE DIM.



PIN ASSIGNMENTS FRONT VIEW

6	BLUE					
5	GREEN					
4	YELLOW	5	NUT	BRASS NICKEL PLATED	1	SILVER
3	ORANGE	4	WOSHER	STEEL NICKEL PLATED	1	SILVER
2	RED	3	O-RING	ZPOM	1	BLACK
1	BROWN	2	CABLE	UL2464#24L1000	1	BLACK
CONN	WIRE COLER	1	CONNECTOR	W12-06(MALE PIN GOLD PLATED)	1	BLACK
	PIN OUT	NO	PART NAME	SPECIFICATION	QTY	COLOR

W12X1-0600-M1M-LF
LEADFREE
RoHS Compliant

MORETHANALL
CONNECTORS
ASSEMBLIES

煜倫股份有限公司

PART NO. W12X1-0600-M1M		CHECKED BY CY		TOLERANCES ARE .X ± 0.2 .XX ± 0.1 .XXX ± AWG	DESCRIP TION:		
DWG NO. W12X1-0600-M1M		DRAWING BY					
UNIT / mm	SCALE 1:1	PROJECTION		AREA	REVISIONS	HK	DATE